

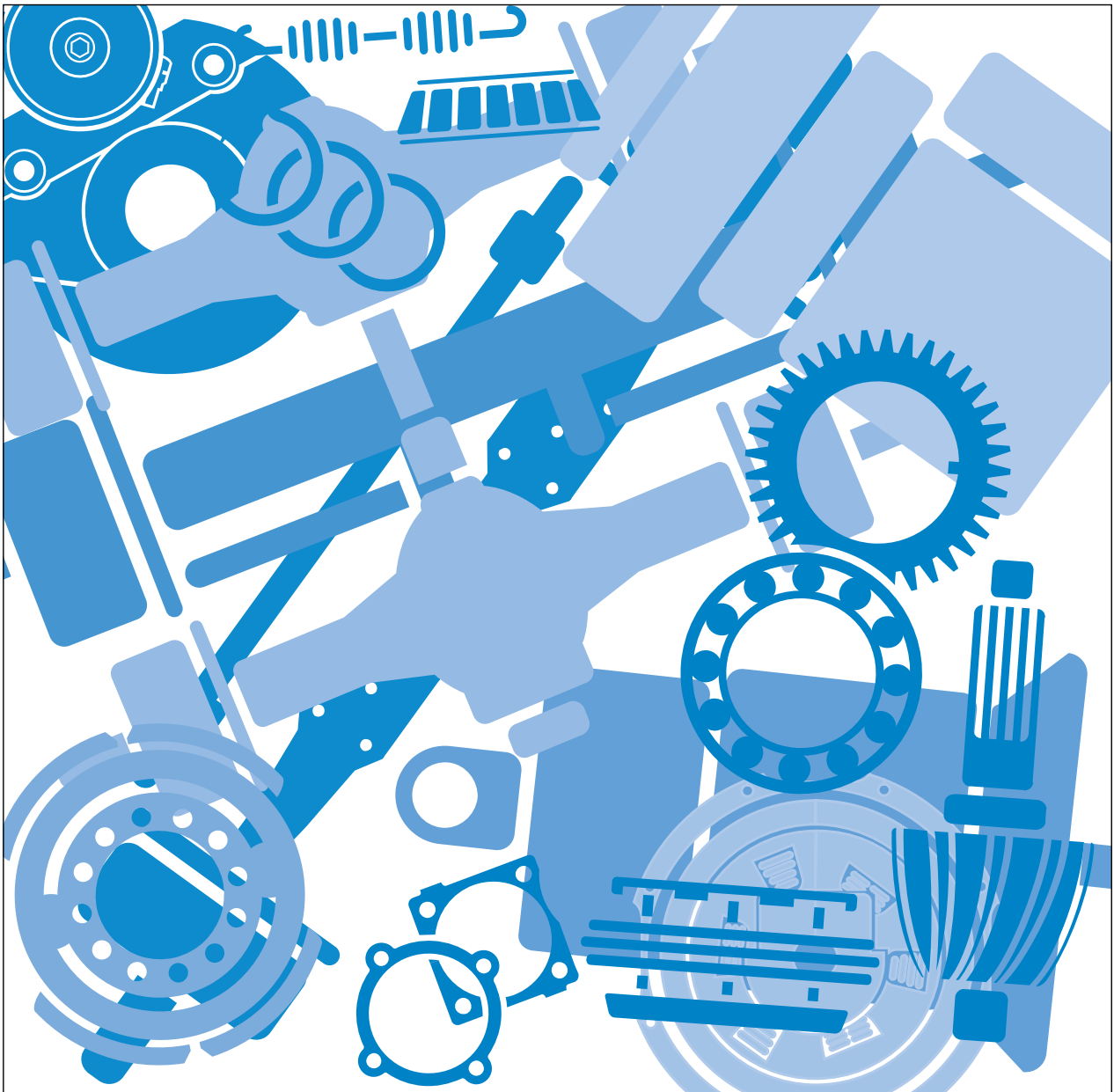
Roadranger®

Eaton® Fuller® Heavy Duty Transmissions

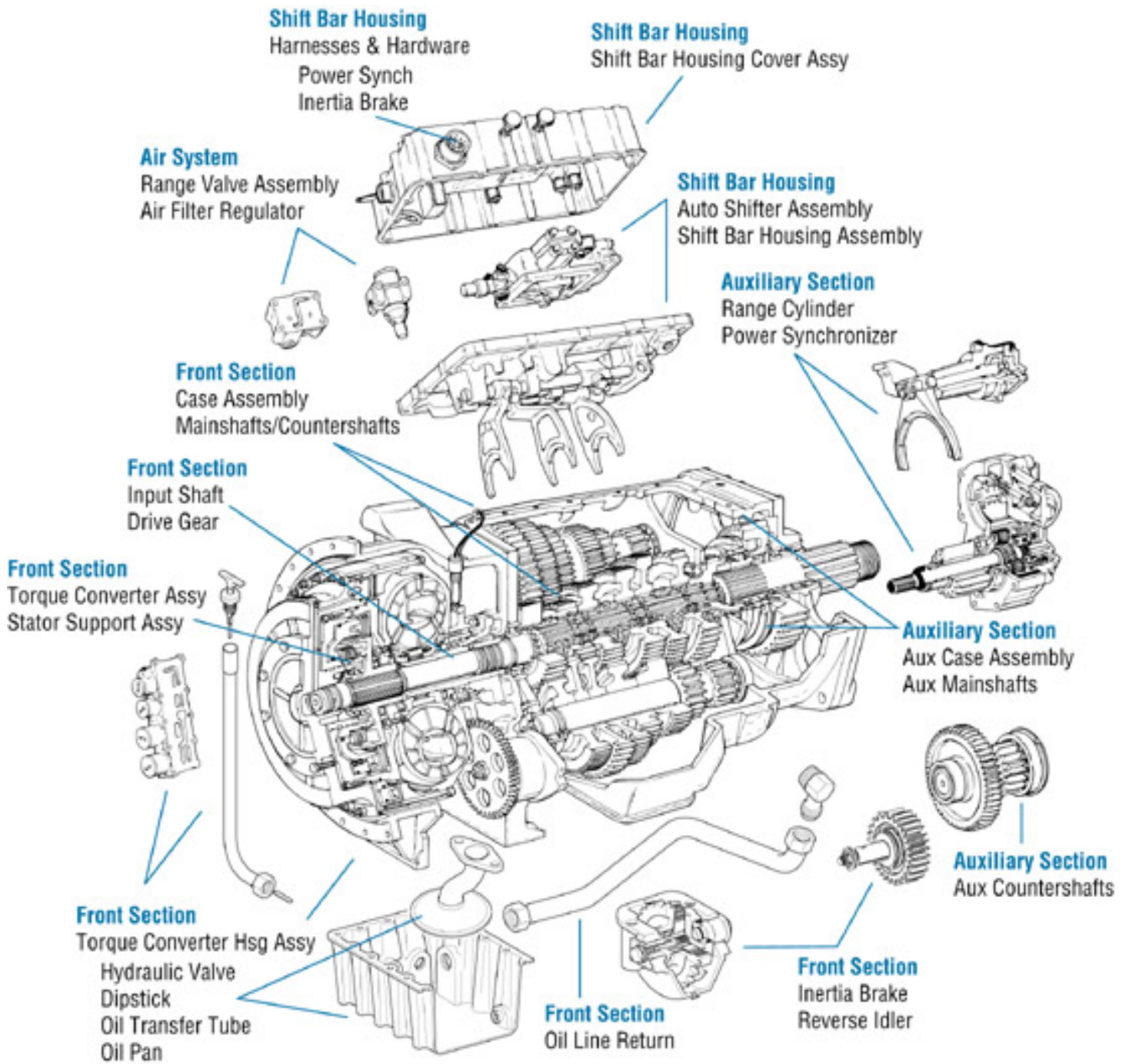


One Great Drivetrain from Two Great Companies

Illustrated Parts List RTO-11109B-ATR Jun 2005



For the most current information, visit the Roadranger web site at www.roadranger.com



20001-12-93

Contents

| | |
|-------------------------------------------------------------------|----|
| How To Use The Illustrated Parts List | 4 |
| Locating Transmission Tag and Identifying Model Designation | 5 |
| Using Model Designation or Nomenclature | 5 |
| AUXILIARY DRIVE GEAR | 6 |
| BAR HOUSING ASSY | 7 |
| CASE (AUX) | 9 |
| CASE (FRONT) | 11 |
| CONVERTER HOUSING ASSY | 13 |
| COUNTERSHAFT & BRGS(AUX) | 15 |
| COUNTERSHAFT ASSY | 16 |
| ECU CONTROLS | 17 |
| AUTO SHIFTER ASSY | 17 |
| ECU CONTROLS | 18 |
| BAR HOUSING COVER ASSY | 18 |
| FILTER REGULATOR | 19 |
| FRONT SECTION MISC. | 20 |
| OIL LINES-POWER SYNCHRO | 20 |
| HARNESSES & HARDWARE | 21 |
| HARNASS ASSY-TORQUE CONV | 21 |
| HARNESSES & HARDWARE | 22 |
| HARNASS ASY-AUTO SHIFTER | 22 |
| INPUT SHAFT & DRIVE GEAR | 23 |
| KITS & ASSEMBLIES | 24 |
| MAINSHAFT & SYNCHRO(AUX) | 26 |
| MAINSHAFT ASSY | 27 |
| MISCELLANEOUS | 29 |
| OIL PANS & OIL LINES | 30 |
| OIL PAN-LOW PROFILE | 30 |
| OIL PANS & OIL LINES | 32 |
| OIL PAN-LOW PROFILE/RT | 32 |
| OIL PANS & OIL LINES | 34 |
| OIL PAN-OFFSET | 34 |
| OIL PANS & OIL LINES | 36 |
| OIL PAN-STANDARD | 36 |
| POWER SYNCHRONIZER | 38 |
| RANGE CYLINDER | 39 |
| REVERSE IDLER | 40 |
| STATOR SUPPORT ASSY | 41 |
| TORQUE CONVERTER ASSY | 42 |
| VALVES | 43 |
| AIR SYS-POWER SYNCHRO | 43 |
| VALVES | 44 |
| AIR SYS-RANGE | 44 |
| Appendix | 45 |

How To Use The Illustrated Parts List

Using Model Designation or Nomenclature

- This information provides a guideline to assist you in identifying the transmission designation assigned to a transmission model - information vital to identifying and ordering parts.

Kits and Assemblies (K/A's)

- Kits and Assemblies contain groups of individual or assembled parts developed for optimal replacement or repair of a service problem.
- Kits and Assemblies are shown with applicable parts groupings in the parts listings.

Identifying Kits and Assemblies

A- Part numbers beginning with the letter 'A' are pre-assembled Production Assemblies

K- Part numbers beginning with the letter 'K' are kits that are not assembled

S- Part numbers beginning with the letter 'S' are pre-assembled Service Assemblies

- Note: Some Production Assemblies do not begin with a letter prefix (Midrange only).

Illustrations

- Illustrations show parts in assembly groups.
- Item numbers on illustrations correspond with parts listings on pages adjacent to the illustration.
- Notes are included on illustrations where additional information is needed.

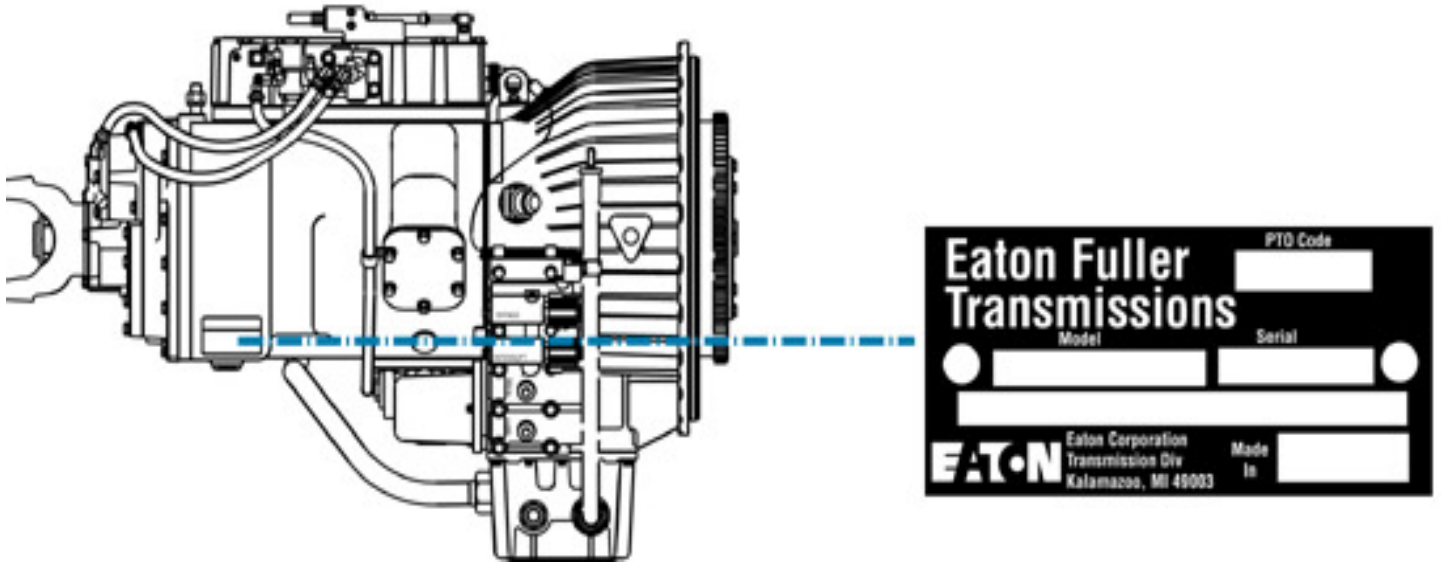
Parts Listing

Parts listings are defined by parts groupings and are broken down by service assemblies. Parts listings identify a part for servicing with the following categories

- **Item Number** - corresponding with numbers on illustrations for part identification.
- **Current Part** - identifies part as it is available for service.
- **Description** - specifies part name or description.
- **Replaced Part** - quantity quantity required for assembly.
- **Quantity** - defines unique characteristics or requirements.
- **Notes** - indicates Kits or Assemblies that contain a particular part.
- **Kits/Assy's Where Used**

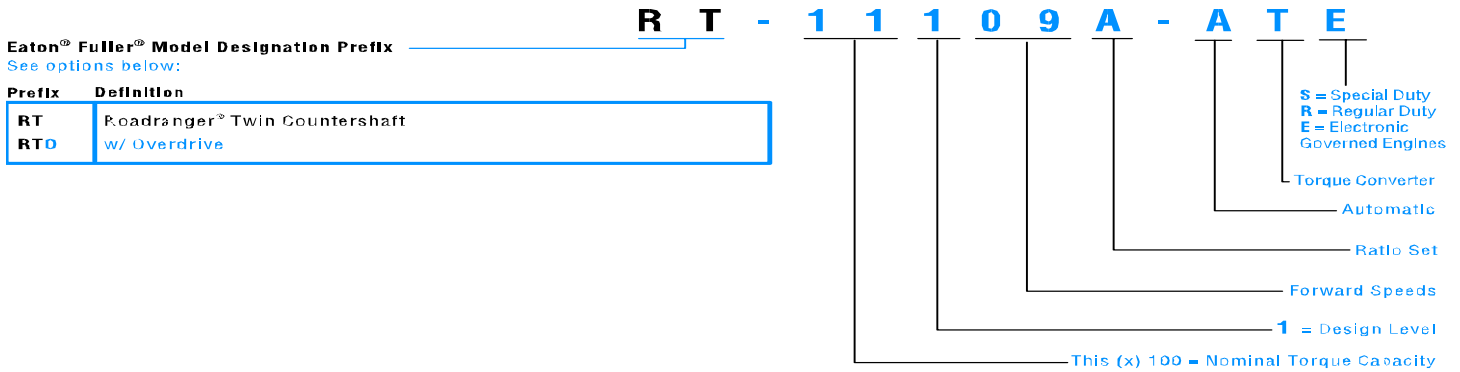
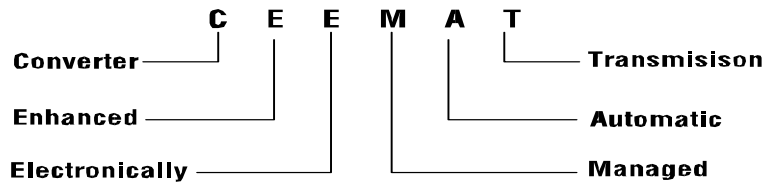
Locating Transmission Tag and Identifying Model Designation

Transmission model designation, and other transmission information, are stamped on the transmission tag. To identify the transmission model designation (nomenclature), locate the tag on the transmission and then locate the model designation number as shown.

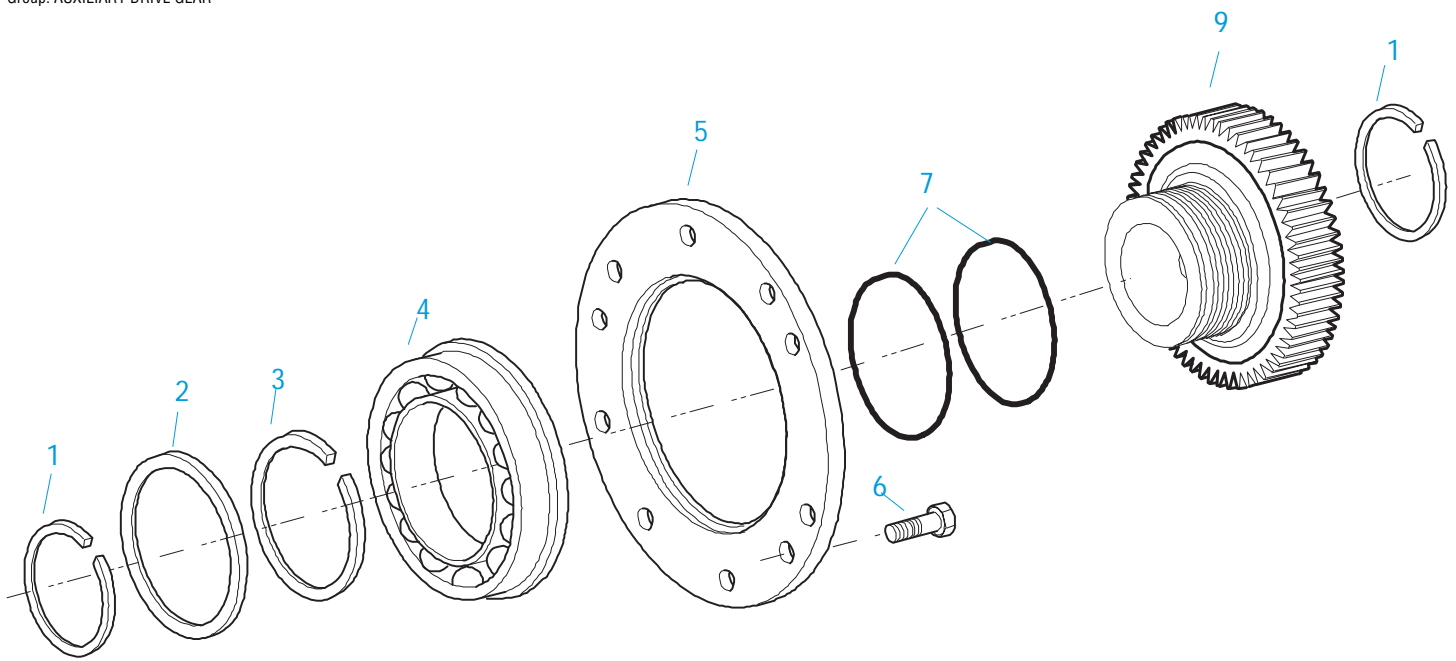


Using Model Designation or Nomenclature

The model designation or nomenclature assigned to a transmission model provides information concerning transmission torque capacity, forward speeds, ratio set, shift bar housing and other provisions and options. Use the following guidelines to identify your transmission model designation. This information is useful when ordering parts.



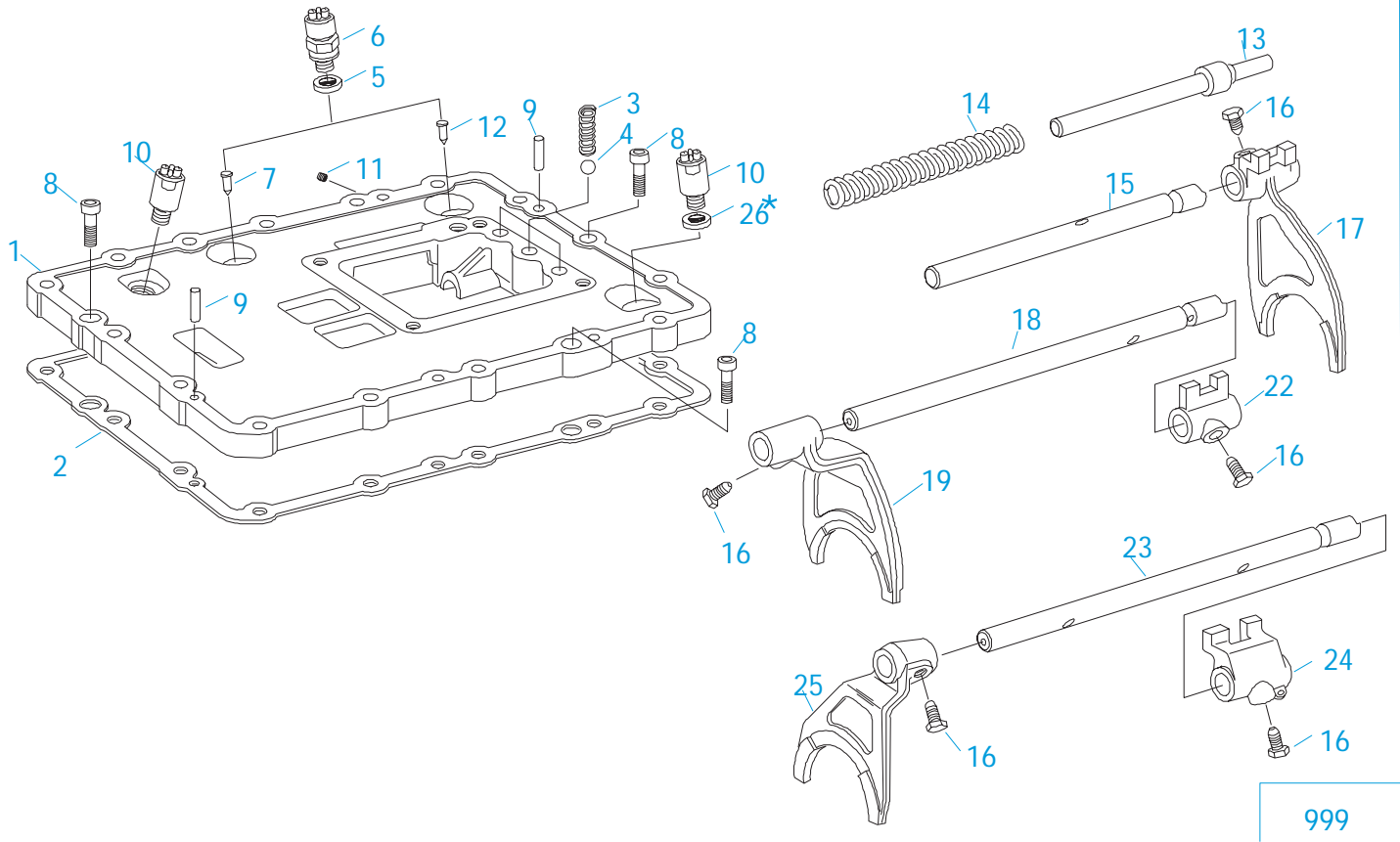
Every effort has been made to ensure the accuracy of this publication. However, Eaton Corporation makes no expressed or implied warranty or representation based on the information contained in this publication. Any errors or omissions may be reported to Eaton Roadranger Parts Marketing, Eaton Corporation, P.O. Box 4013, Kalamazoo, MI 49003.
Copyright Eaton Corporation, 2005 All rights reserved.



10482-12/92 Aux DG

AUXILIARY DRIVE GEAR

| Item | Current Part | Description | Replaced Part | Qty. | Notes | Kits/Assys Where Needed |
|------|--------------|---------------------|---------------|------|------------|------------------------------------------------|
| 1 | 16763 | SNAP RING | | 2 | | K-2830 ,K-2902 ,K-2903 ,K-2904 ,K-2905 |
| 2 | 21320 | SNAP RING RETAINER | | 1 | RTO ONLY | K-2830 |
| 3 | 16628 | SNAP RING | | 1 | | K-2830 |
| 4 | 5566507 | BEARING | 5566504 | 1 | | K-2902 ,K-2903 ,K-2904 ,K-2905 |
| 5 | 16138 | BEARING RETAINER | | 1 | | |
| 6 | X-8-645 | CAPSCREW | | 6 | 3/8"-16X1" | |
| 7 | 17453 | -O- RING | | 2 | | K-2426 ,K-2630 ,K-2902 ,K-2903 ,K-2904 ,K-2905 |
| 9 | K-2630 | REPL KIT-DRIVE GEAR | 4300548 | 1 | | |

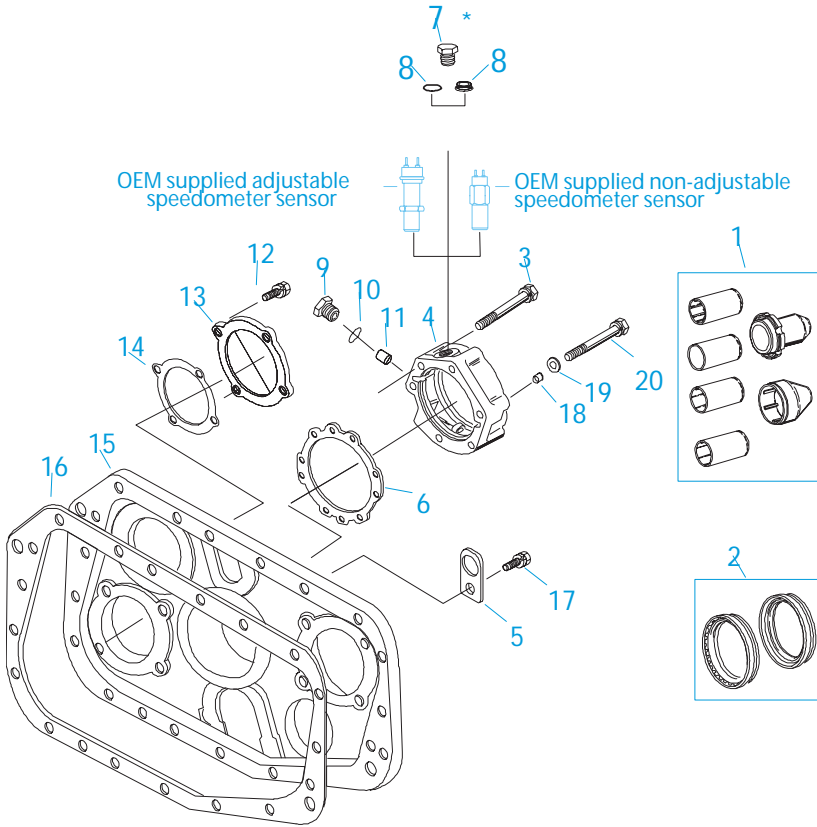


20231-11-93

*Spacer not applicable to all models - refer to parts listing.

BAR HOUSING ASSY

| Item | Current Part | Description | Replaced Part | Qty. | Notes | Kits/Assys Where Needed |
|------|--------------|------------------------|-----------------|------|-------------------------------------|--------------------------------|
| 1 | K-2754 | SHIFT BAR HSG ASSY | 22596 | 1 | HOUSING ONLY | |
| 2 | 4302676 | GASKET | 14918 | 1 | | K-2172 ,K-2754 ,S-1876 |
| 3 | 1069 | SPRING | | 3 | | K-2830 ,K-2903 ,K-2905 ,S-1876 |
| 4 | X-14-800 | STEEL BALL | | 3 | 1/2" | A-5732 ,K-2830 ,S-1876 |
| 5 | 15900 | GASKET | | 2 | | K-2633 ,S-1876 |
| 6 | 691744 | SHIFT SENSOR SWITCH | 22565 | 2 | | K-2633 ,S-1876 |
| 7 | 691316 | ACTUATING SWITCH PIN | 23112 | 1 | | S-1876 |
| 8 | X-8-691 | CAPSCREW | | 3 | 3/8"-16X1" | |
| 9 | 62516 | ROLL PIN | 62521 | 2 | | S-1876 |
| 10 | K-2980 | SENSOR UPDATE KIT | 22567 ,K - 2631 | 2 | | |
| 11 | X-12-102 | PLUG | | 1 | | S-1876 |
| 12 | K-3271 | NEUTRAL SWITCH KIT | 22603 | 1 | | |
| 13 | 691314 | ACTUATING SHAFT SWITCH | 22601 | 1 | | K-3271 ,S-1876 |
| 14 | 22604 | SPRING | | 1 | | S-1876 |
| 15 | 22600 | YOKE BAR | | 1 | LOW/REVERSE | S-1876 |
| 16 | 3220 | LOCKSCREW | | 5 | | S-1876 |
| 17 | 22434 | YOKE | | 1 | LOW/REVERSE | S-1876 |
| 18 | 22593 | YOKE BAR | | 1 | 1ST/2ND | S-1876 |
| 19 | 691600 | SHIFT YOKE | 4302994 | 1 | 1ST/2ND | S-1876 |
| 22 | 14658 | SHIFT BLOCK | | 1 | 1ST/2ND | S-1876 |
| 23 | 22594 | YOKE BAR | | 1 | 3RD/4TH | S-1876 |
| 24 | 4303273 | SHIFT BLOCK | 22602 | 1 | 3RD/4TH | S-1876 |
| 25 | 691601 | SHIFT YOKE | 4302212 | 1 | 3RD/4TH | S-1876 |
| 26 | 23166 | SPACER | | 1 | USE FOR RTO,B-RATIO,ATE MODELS ONLY | K-2980 |
| 999 | S-1876 | SHIFT BAR HSG ASSY | 22596 | 1 | COMPLETE | |



* Note Items 7 & 8 / Magnetic Speedometer Openings:
 Use 13679 "O" ring w/ OEM supplied adjustable speedometer sensor
 and 20225 "O" ring w/ OEM supplied non-adjustable speedometer sensor or Eaton part #20224 Plug

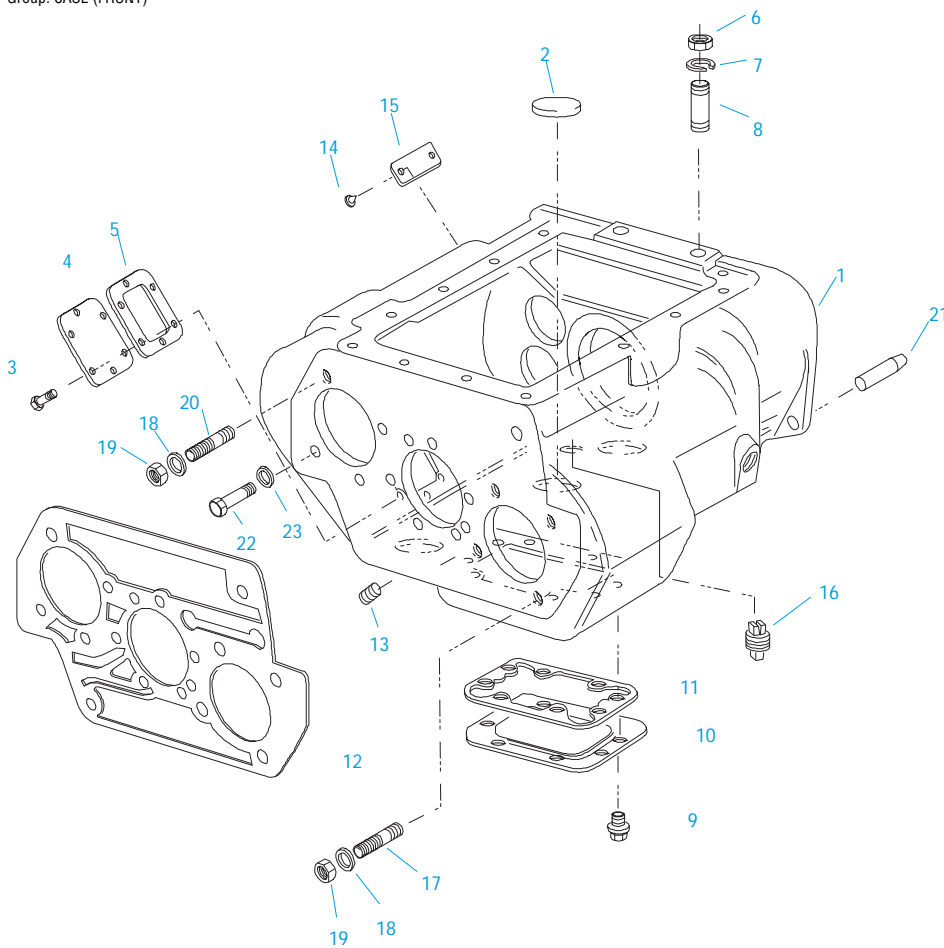
20500-11-93

CASE (AUX)

| Item | Current Part | Description | Replaced Part | Qty. | Notes | Kits/Assys Where Needed |
|------|--------------|---------------------|-------------------|------|-----------------------------------------------------------------------------------------------------|---------------------------------------------------------------|
| 1 | K-3651 | OIL SEAL TOOL KIT | | 1 | | |
| 2 | K-2262 | OIL SEAL W/SLINGER | 19109 20807 20808 | 1 | | K-2289 ,K-2290 ,K-2775 ,K-2776 ,K-2777 ,K-2778 |
| 3 | X-8L-611 | CAPSCREW | | 5 | 3/8"-16X3-1/4" | |
| 4 | S-2178 | NO LONGER AVAILABLE | 4302015 | 1 | | |
| 5 | 23646 | LIFTING EYE | | 1 | | |
| 6 | 15532 | GASKET | | 1 | | K-2172 ,K-2262 ,S-2113 ,S-2119 ,S-2178 |
| 7 | 20224 | PLUG-MAGNETIC | | 2 | | S-2113 ,S-2119 ,S-2178 ,S-2181 ,S-2183 S-2185 ,S-2187 ,S-2189 |
| 8 | 20225 | -O- RING | | 2 | USE W/20224 PLUG OR OEM SUPPLIED NON-ADJUSTABLE SPEEDOMETER SENSOR NOT TO BE USED WITH 4301954 SEAL | |
| 8 | 4301954 | SEAL | | 2 | O-RING NOT REQUIRED | S-2113 ,S-2119 ,S-2178 |
| 9 | 20226 | PLUG-MECHANICAL | 2237 | 1 | | S-2113 ,S-2119 ,S-2178 ,S-2181 ,S-2183 S-2187 ,S-2189 |
| 10 | 14142 | -O- RING | | 1 | | S-2113 ,S-2119 ,S-2178 ,S-2181 ,S-2183 S-2187 ,S-2189 |
| 11 | 7992 | BUSHING | | 1 | | S-2113 ,S-2119 ,S-2178 |
| 12 | X-8L-602 | CAPSCREW | | 4 | 3/8"-16X1-1/2" | |
| 13 | 22419 | REAR BEARING COVER | | 1 | | |
| 14 | 22420 | GASKET | | 1 | | K-2172 |

| Item | Current Part | Description | Replaced Part | Qty. | Notes | Kits/Assys Where Needed |
|------|--------------|--------------|---------------|------|----------------|--------------------------------------------------|
| 15 | 22400 | REAR HOUSING | | 1 | | |
| 16 | 14335 | GASKET | | 1 | | K-2172 ,S-2181 ,S-2183 ,S-2185 ,S-2187 S-2189 |
| 17 | X-8L-614 | CAPSCREW | | 1 | 3/8"-16X2" | |
| 17 | X-8-698 | CAPSCREW | | 2 | 3/8"-16X2-1/2" | |
| 17 | X-8L-605 | CAPSCREW | | 1 | 3/8"-16X3" | |
| 17 | X-8L-602 | CAPSCREW | | 14 | 3/8"-16X1-1/2" | |
| 18 | 19709 | COLLAR | | 1 | | K-2172 ,K-2262 ,S-2113 ,S-2119 ,S-2178 |
| 19 | 17106 | GASKET | | 1 | | K-2172 ,K-2262 ,S-2113 ,S-2119 ,S-2178 |
| 20 | X-8-611 | CAPSCREW | | 1 | 3/8"-16X3-1/4" | |

Group: CASE (FRONT)



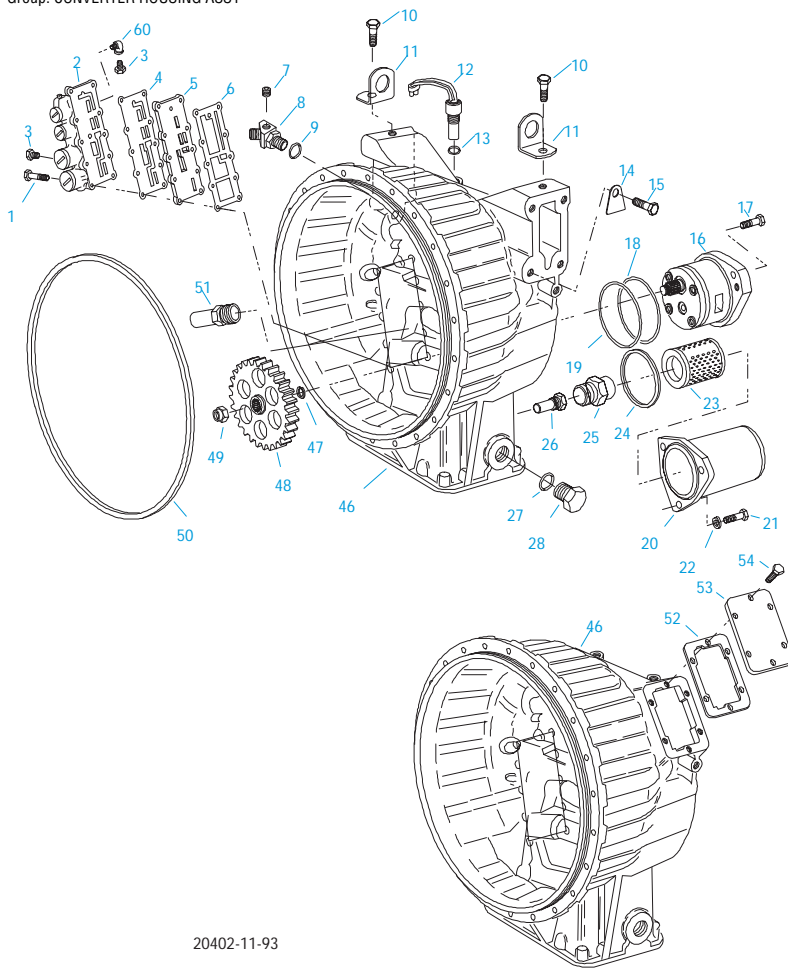
20445-11-93

CASE (FRONT)

| Item | Current Part | Description | Replaced Part | Qty. | Notes | Kits/Assys Where Needed |
|------|--------------|---------------------|------------------------------|------|--------------------------------------|--------------------------------|
| 1 | S-1785 | CASE ASSY | 23583 | 1 | | |
| 2 | 14373 | MAGNET | | 3 | | S-1785 |
| 3 | X-8-686 | CAPSCREW | | 6 | 3/8"-16X3/4" | |
| 4 | 14575 | PTO COVER | 4302254 | 1 | | |
| 5 | 4305309 | GASKET | 1684 | 1 | | K-2172 ,K-2388 ,K-2906 |
| 6 | X-1-1005 | NUT | X 1 1000 | 2 | 5/8"-18 | K-2504 ,K-2625 |
| 7 | X-10-1005 | WASHER | X 3 1000 ,X10 1000 ,X10 1004 | 2 | 1.23 X 6.60 | |
| 8 | 14554 | STUD | 1632 ,6579 | 2 | 5/8" X 2-3/16" | |
| 9 | X-8-725 | CAPSCREW | | 8 | 7/16"-14X7/8" NOT USED ON ATE MODELS | |
| 10 | 4302809 | PTO COVER | 16596 ,4300571 | 1 | NOT USED ON ATE MODELS | |
| 11 | 4305310 | GASKET | 4302810 | 1 | | K-2172 |
| 12 | 22507 | GASKET | | 1 | | K-2172 ,K-2388 ,K-2504 ,K-2625 |
| 13 | X-12-802 | PIPE PLUG | | 1 | 1/2" | K-3226 |
| 16 | X-12-1207 | PIPE PLUG | X12 1202 ,X12 1206 | 1 | 3/4" MAGNETIC | |
| 16 | 4304023 | PLUG | 4303747 | 1 | 1-1/16" MAGNETIC, O-RING INCLUDED | S-1785 |
| 17 | 4302708 | STUD | 5966 | 4 | | |
| 18 | X-10-1005 | WASHER | X 3 1000 ,X10 1000 ,X10 1004 | 6 | 1.23 X 6.60 | |
| 19 | X-1-1005 | NUT | X 1 1000 | 6 | 5/8"-18 | K-2504 ,K-2625 |
| 20 | 22916 | STUD | | 2 | | |
| 21 | 14334 | DOWEL | | 2 | | |
| 22 | X-8-808 | CAPSCREW | | 4 | 1/2"-13X1-1/4" | |
| 23 | X-10-802 | NO LONGER AVAILABLE | | 4 | 1/2" PLAIN | |
| 24 | X-12-2007 | PIPE PLUG | X12 2006 | 1 | | |

| Item | Current Part | Description | Replaced Part | Qty. | Notes | Kits/Assys Where Needed |
|------|--------------|-------------|---------------|------|-----------------------------------|-------------------------|
| 24 | 4304023 | PLUG | 4303747 | 1 | 1-1/16" MAGNETIC, O-RING INCLUDED | S-1785 |

Group: CONVERTER HOUSING ASSY

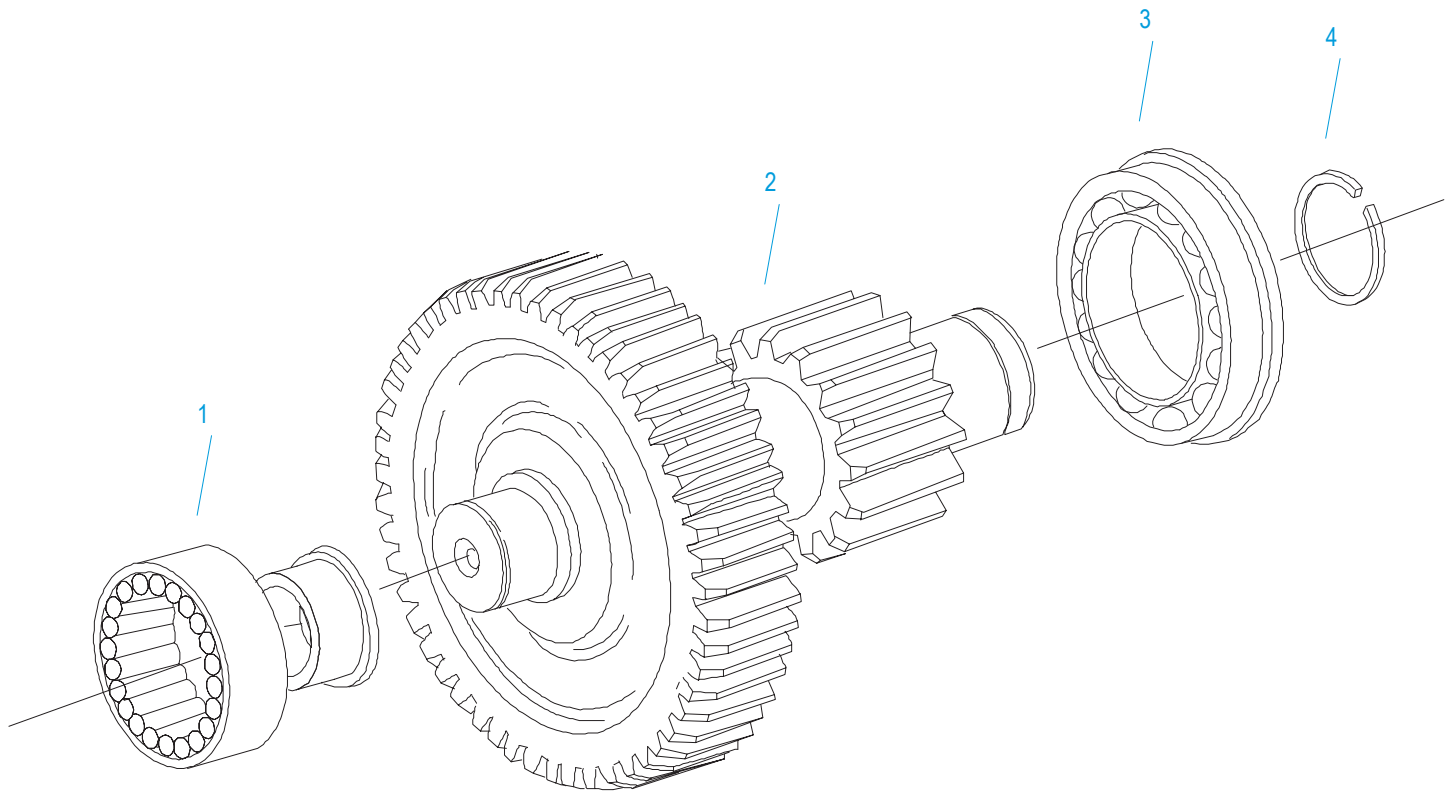


20402-11-93

CONVERTER HOUSING ASSY

| Item | Current Part | Description | Replaced Part | Qty. | Notes | Kits/Assys Where Needed |
|------|--------------|----------------------|------------------|------|----------------|----------------------------------------|
| 1 | X-8-6104 | CAPSCREW | | 2 | 3/8"-16X2-3/4" | |
| 1 | X-8L-681 | CAPSCREW | | 2 | 3/8"-16X2-3/4" | |
| 1 | X-8L-672 | CAPSCREW | | 6 | 3/8"-16X3-1/4" | |
| 2 | A-5587 | VALVE ASSY | | 1 | | |
| 3 | X-12-210 | PIPE PLUG | | 4 | 1/8" | |
| 4 | 22532 | GASKET | | 1 | | K-2172 ,K-2387R ,K-2388 ,K-2625 |
| 5 | 23612 | PLATE | | 1 | | |
| 6 | 22534 | GASKET | | 1 | | K-2172 ,K-2387R ,K-2388 ,K-2625 |
| 7 | X-12-802 | PIPE PLUG | X12 800 | 1 | 1/2" | |
| 8 | K-3226 | ELBOW KIT | 4300307 | 1 | | |
| 9 | 23109 | -O- RING | | 1 | | K-2388 ,K-2625 ,K-2877 ,K-2914 ,K-2915 |
| 10 | X-8L-601 | CAPSCREW | | 2 | 3/8"-16X3/4" | |
| 11 | 23645 | LIFTING EYE | | 2 | 90 DEG. | |
| 12 | K-2632 | ENG SPEED SENSOR KIT | 22569 | 1 | | |
| 13 | 22504 | -O- RING | | 1 | | K-2388 ,K-2625 ,K-2632 |
| 14 | 23573 | INSTRUCTION TAG | | 3 | | |
| 15 | X-8-1202 | SCREW | | 3 | 3/4"-10X1" | |
| 16 | K-2911 | OIL PUMP KIT | 4300747 ,4302714 | 1 | | |
| 17 | X-8C-604 | CAPSCREW | | 2 | 3/8"-16X1-1/4" | K-2504 ,K-2911 |
| 18 | 691342 | SEAL RING | 5568503 | 1 | | K-2388 ,K-2504 ,K-2625 ,K-2911 |
| 19 | 22430 | -O- RING | | 1 | | K-2388 ,K-2504 ,K-2625 ,K-2911 |
| 20 | 23220 | FILTER BOWL | | 1 | | |

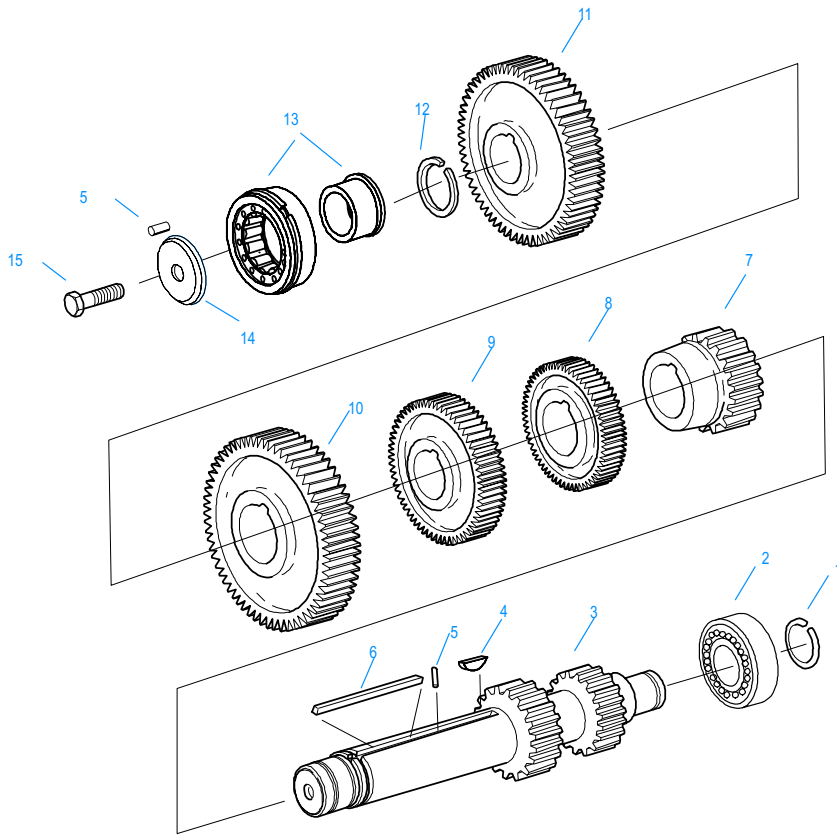
| Item | Current Part | Description | Replaced Part | Qty. | Notes | Kits/Assys Where Needed |
|------|--------------|--------------------------|-------------------|------|----------------|-------------------------------------------|
| 21 | X-8-6105 | SCREW | X 8 6106 | 3 | 3/8"-16X1-1/4" | K-2314 |
| 22 | X-3-607 | CONICAL WASHER | | 3 | 3/8" | K-2314 |
| 23 | 22510 | OIL FILTER | | 1 | | K-2314 |
| 24 | 23108 | -O- RING | | 1 | | K-2314 ,K-2388 ,K-2625 |
| 25 | 22512 | NIPPLE | | 1 | | |
| 26 | A-5732 | RELIEF VALVE ASSY | | 1 | | K-2625 ,S-2015 |
| 27 | 23029 | -O- RING | | 1 | | K-2388 ,K-2625 ,K-2914 |
| 28 | 23028 | PLUG | | 1 | | K-2914 |
| 46 | K-2625 | #1 CONVERTER HSG KIT | | 1 | | |
| 46 | K-2388 | CONVERTER HOUSING KIT | 4300323 ,4300377 | 1 | 6 BOLT ACCESS | |
| 47 | 4302219 | SNAP RING | | 1 | | K-2911 |
| 48 | 4302216 | PUMP GEAR | | 1 | | |
| 49 | X-1-1008 | NUT | | 1 | 5/8"-18 | K-2504 ,K-2625 |
| 50 | 23487 | SEAL RING | | 1 | | K-2172 ,K-2388 ,K-2398 ,K-2504 ,K-2990 |
| 51 | A-7119 | FILTER BYPASS VALVE ASSY | A - 6067 A - 6393 | 1 | | K-2387R ,K-2625 ,S-2015 |
| 52 | 4305309 | GASKET | 1684 | 1 | | K-2172 ,K-2388 ,K-2906 |
| 53 | 14575 | PTO COVER | 4302254 | 1 | | |
| 54 | X-8-686 | CAPSCREW | | 6 | 3/8"-16X3/4" | |
| 60 | 12845 | ELBOW | | 2 | 1/8" | |



10442-4/92 Aux CS

COUNTERSHAFT & BRGS(AUX)

| Item | Current Part | Description | Replaced Part | Qty. | Notes | Kits/Assys Where Needed |
|------|--------------|--------------------------|--------------------|------|-------------------------|--------------------------------|
| 1 | 8879 | BEARING | | 2 | | K-2283 ,K-2345 ,K-2761 ,S-1944 |
| 2 | A-5735 | WELDED COUNTERSHAFT ASSY | A - 4727 ,A - 5051 | 2 | C/S 4300326 - D/G 19276 | |
| 3 | 81052 | BEARING | 81008 | 2 | | K-2283 ,K-2345 ,K-2761 |
| 4 | 16723 | SNAP RING | | 2 | | K-1790 ,K-2283 ,K-2345 ,K-2761 |

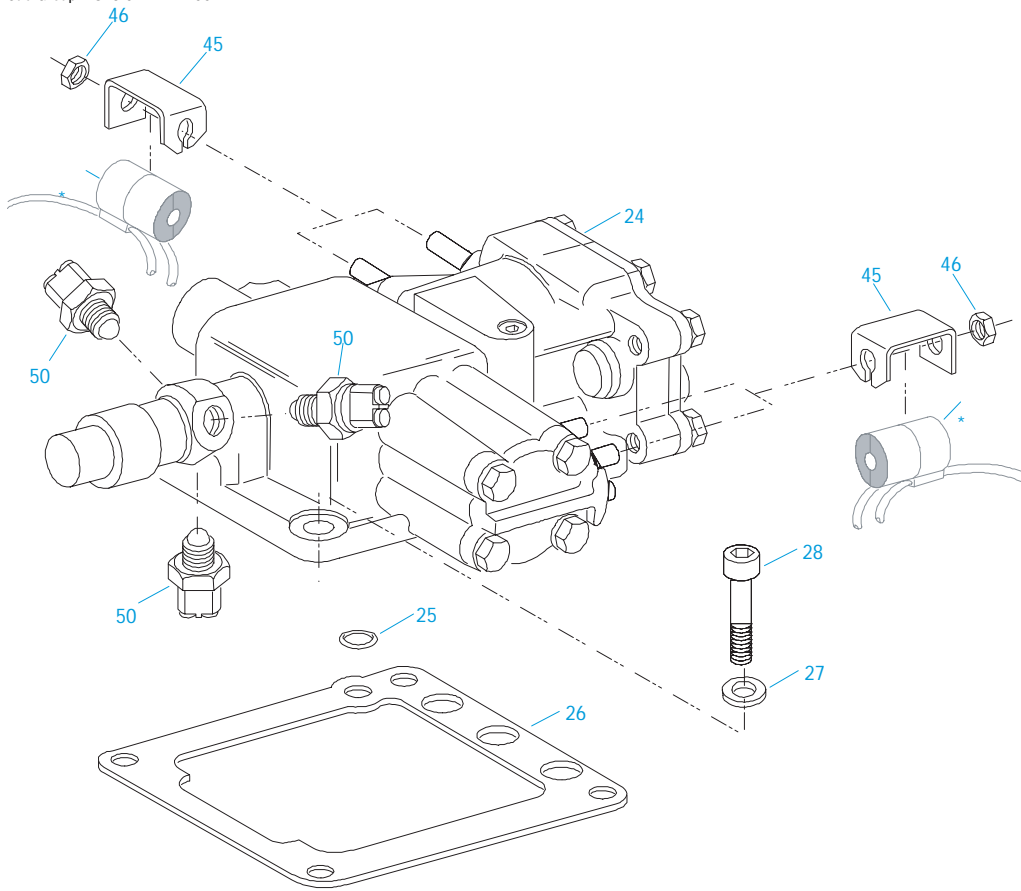


10341-1/92 CS/RT

COUNTERSHAFT ASSY

| Item | Current Part | Description | Replaced Part | Qty. | Notes | Kits/Assys Where Needed |
|------|--------------|---------------------|-----------------|------|-----------------------------|----------------------------------------------------------------|
| 1 | 14317 | SNAP RING | | 2 | | K-2289 ,K-2290 ,K-2775 ,K-2776 ,K-2777 ,K-2778 ,K-2829 ,K-2830 |
| 2 | 14366 | BEARING | | 2 | | K-2289 ,K-2290 ,K-2775 ,K-2776 ,K-2777 |
| 3 | K-2935 | CNTRSHFT-LOWER | 20804 ,22411 | 1 | | |
| 3 | K-2934 | CNTRSHFT-UPPER | 19549 | 1 | | |
| 4 | X-6-E | KEY | | 2 | | |
| 5 | 62511 | ROLL PIN | | 4 | | |
| 6 | 4304840 | KEY | 19673 | 2 | | |
| 7 | 21025 | 1ST GEAR-CNTRSHFT | 19629 | 2 | | |
| 8 | 21264 | 2ND GEAR-CNTRSHFT | 19623 | 2 | | |
| 9 | 21262 | OD GEAR-CNTRSHFT | 19639 ,21027 | 2 | | |
| 10 | 15953 | PTO GEAR - LOWER | | 1 | | |
| 10 | 20840 | PTO GEAR - UPPER | | 1 | | |
| 11 | 4305069 | DRIVE GEAR-CNTRSHFT | 21018 | 2 | | |
| 12 | 19198 | SNAP RING | | 2 | | |
| 13 | 4304599 | BEARING | 4302677 4304598 | 2 | | K-2289 ,K-2290 ,K-2775 ,K-2776 ,K-2777 ,K-2778 |
| 14 | 4304605 | RETAINER | 19548 | 2 | ROLL PIN NO LONGER REQUIRED | |
| 15 | X-7-1005 | CAPSCREW | | 2 | 5/8"-18X1-3/4" | |

Group: ECU CONTROLS
 Sub-Group: AUTO SHIFTER ASSY



20226-11-93

Indicates connection for Auto Shifter Harness Assembly

ECU CONTROLS

AUTO SHIFTER ASSY

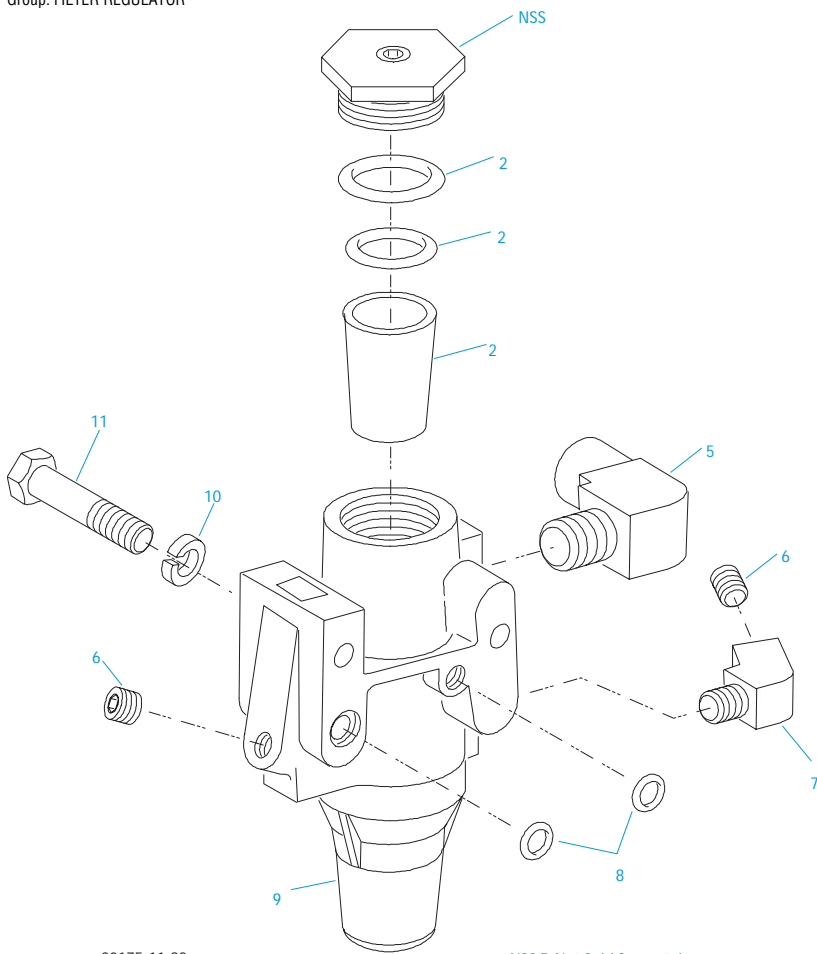
| Item | Current Part | Description | Replaced Part | Qty. | Notes | Kits/Assys Where Needed |
|------|--------------|-----------------------|--------------------|------|----------------|----------------------------------------|
| 24 | K-2983 | AUTO SHIFTER KIT | A - 5517 ,K - 2635 | 1 | | |
| 24 | K-2983R | REMAN AUTOSHIFTER KIT | K - 3080 | 1 | | |
| 25 | 14197 | -O- RING | | 1 | | K-2633 ,K-2983 |
| 26 | 691303 | GASKET | 22592 | 1 | | K-2172 ,K-2385 ,K-2633 ,K-2983 ,S-1876 |
| 27 | X-10-600 | WASHER | | 4 | 3/8" | |
| 28 | X-8-6101 | CAPSCREW | | 4 | 3/8"-16X1-1/2" | |
| 45 | 22867 | YOKE | | 4 | | |
| 46 | X-16-700 | NUT | | 4 | 7/16"-20 | |
| 50 | 691744 | SHIFT SENSOR SWITCH | 22565 | 3 | | K-2633 ,S-1876 |

ECU CONTROLS

BAR HOUSING COVER ASSY

| Item | Current Part | Description | Replaced Part | Qty. | Notes | Kits/Assys Where Needed |
|------|--------------|-----------------------|---------------|------|--------------------------------------------------------------------|------------------------------------------------------------------------|
| | 28.001 | CEEMAT ECU P/N CHART | | 1 | | |
| | 4301116 | GASKET | | 1 | | K-2172 ,K-2385 ,K-2633 ,K-2754 ,K-2980 ,K-2981 ,K-2982 ,K-2983 ,S-1876 |
| | 7935 | BREATHER | | 1 | | |
| | 9332 | BUSHING | | 1 | | |
| | X-12-405 | PIPE PLUG | | 1 | | |
| | X-8-615 | CAPSCREW | | 2 | 3/8"-16X4-1/4" | |
| 1 | X-8-690 | CAPSCREW | | 3 | 3/8"-16X5" | |
| 2 | X-10-605 | WASHER | | 2 | 3/8" | K-2906 ,K-2980 ,K-2981 ,K-2982 ,K-2983 ,K-2983R ,K-3201 |
| 3 | X-1-604 | NUT | | 1 | 3/8"-24 | |
| 4 | 4300049 | SHIFT CONTROL LEVER | | 1 | 5/6 POSITION | |
| 4 | 4300074 | SHIFT CONTROL LEVER | | 1 | 7 POSITION | |
| 5 | 4300042 | SHIFT INDICATOR PLATE | | 1 | 5 POSITION | |
| 5 | 4300044 | SHIFT INDICATOR PLATE | | 1 | 6 POSITION | |
| 5 | 4300045 | SHIFT INDICATOR PLATE | | 1 | 7 POSITION | |
| 6 | 23473 | WASHER | | 15 | | K-2385 ,K-2633 ,K-2906 ,K-2980 ,K-2981 ,K-2982 ,K-2983 ,S-1876 |
| 7 | 22544 | WASHER | | 1 | | |
| 8 | X-1-405 | NUT | X 9 402 | 2 | | K-2757 |
| 9 | 4300054 | BRACKET | | 1 | OPTION A - USE X-8-690 CAPSCREWS | |
| 9 | 4300055 | BRACKET | | 1 | OPTION C - USE X-8-690 CAPSCREWS | |
| 9 | 4300056 | BRACKET | | 1 | OPTION B - USE 2 PCS 4300051 AND X-8-6103 CAPSCREWS W/THIS BRACKET | |
| 10 | 4300053 | CLAMP | | 1 | | K-2757 |
| 11 | 4300092 | -U- BOLT | | 1 | | K-2757 |
| 12 | X-8-6100 | CAPSCREW | | 1 | 3/8"-16X4-1/8" | |
| 13 | X-8-647 | CAPSCREW | | 9 | 3/8"-16X4-3/4" | |

Group: FILTER REGULATOR



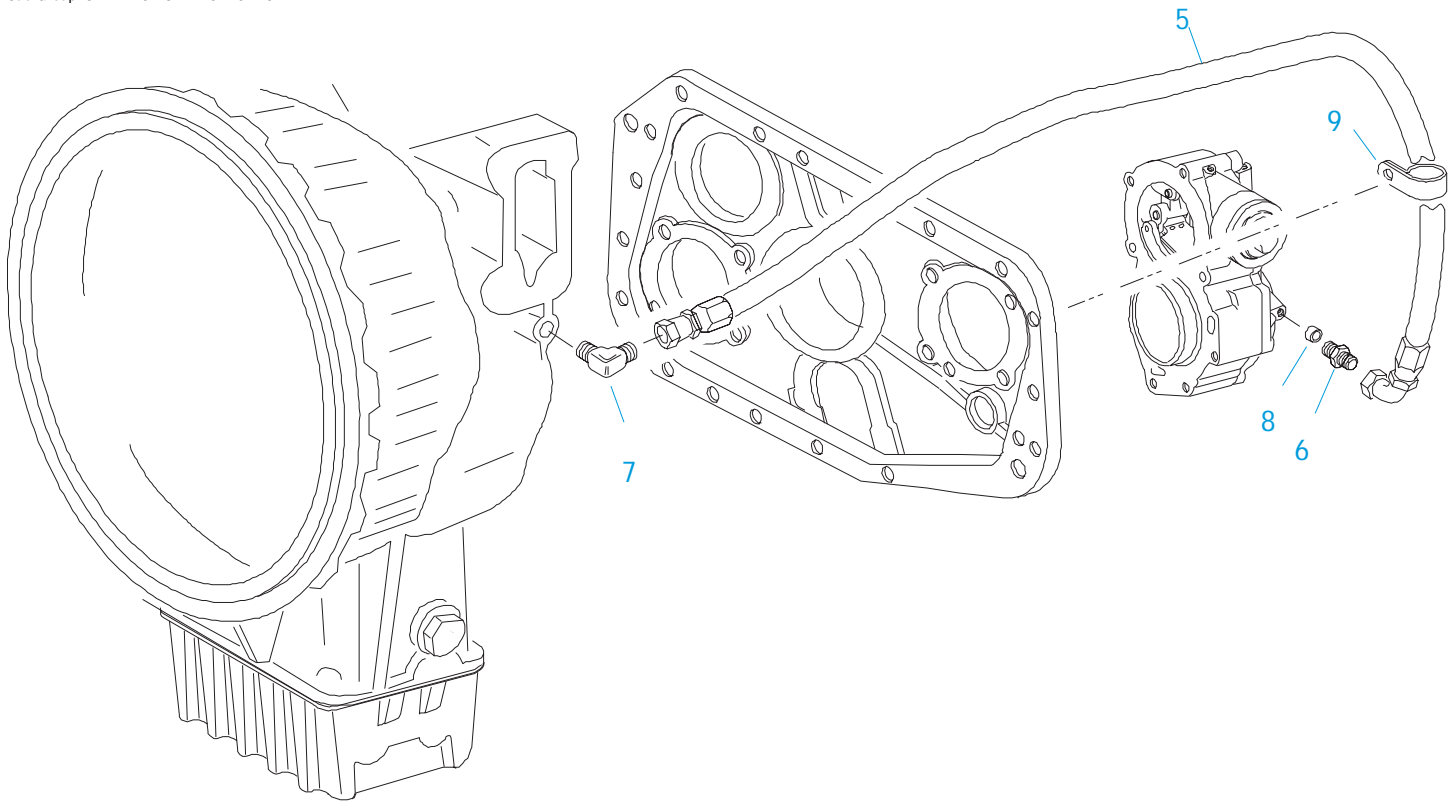
20175-11-93

NSS ⓓ Not Sold Separately

FILTER REGULATOR

| Item | Current Part | Description | Replaced Part | Qty. | Notes | Kits/Assys Where Needed |
|------|--------------|-----------------------|---------------|------|----------------------|-------------------------|
| 2 | K-1698 | -O- RING/ELEMENT KIT | | 1 | FOR FILTER REGULATOR | |
| 5 | 23607 | ELBOW | | 1 | | |
| 6 | X-12-208 | PIPE PLUG | | 2 | 1/8" NPT | A-5587 |
| 7 | 12880 | ELBOW | | 1 | 1/8" | |
| 8 | 15114 | -O- RING | | 2 | | K-2301 |
| 9 | A-5373 | FILTER REGULATOR ASSY | 22677 | 1 | 77 - 82 PSI | K-2301 |
| 10 | X-3-400 | LOCKWASHER | | 2 | 1/4" | |
| 11 | X-8-440 | SCREW | | 2 | 1/4"-20X2-1/4" | |

Group: FRONT SECTION MISC.
 Sub-Group: OIL LINES-POWER SYNCHRO

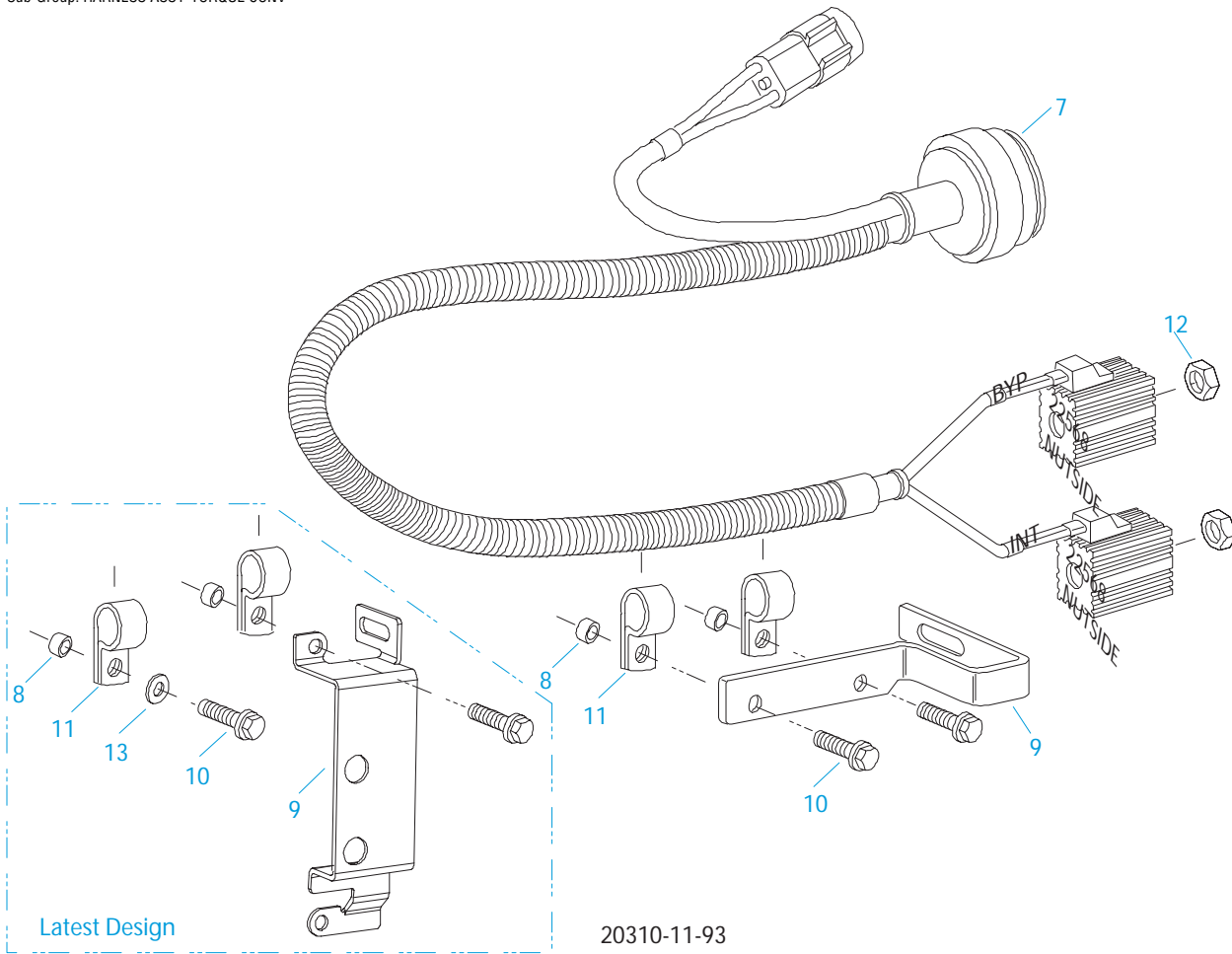


20455-11-93

FRONT SECTION MISC.

OIL LINES-POWER SYNCHRO

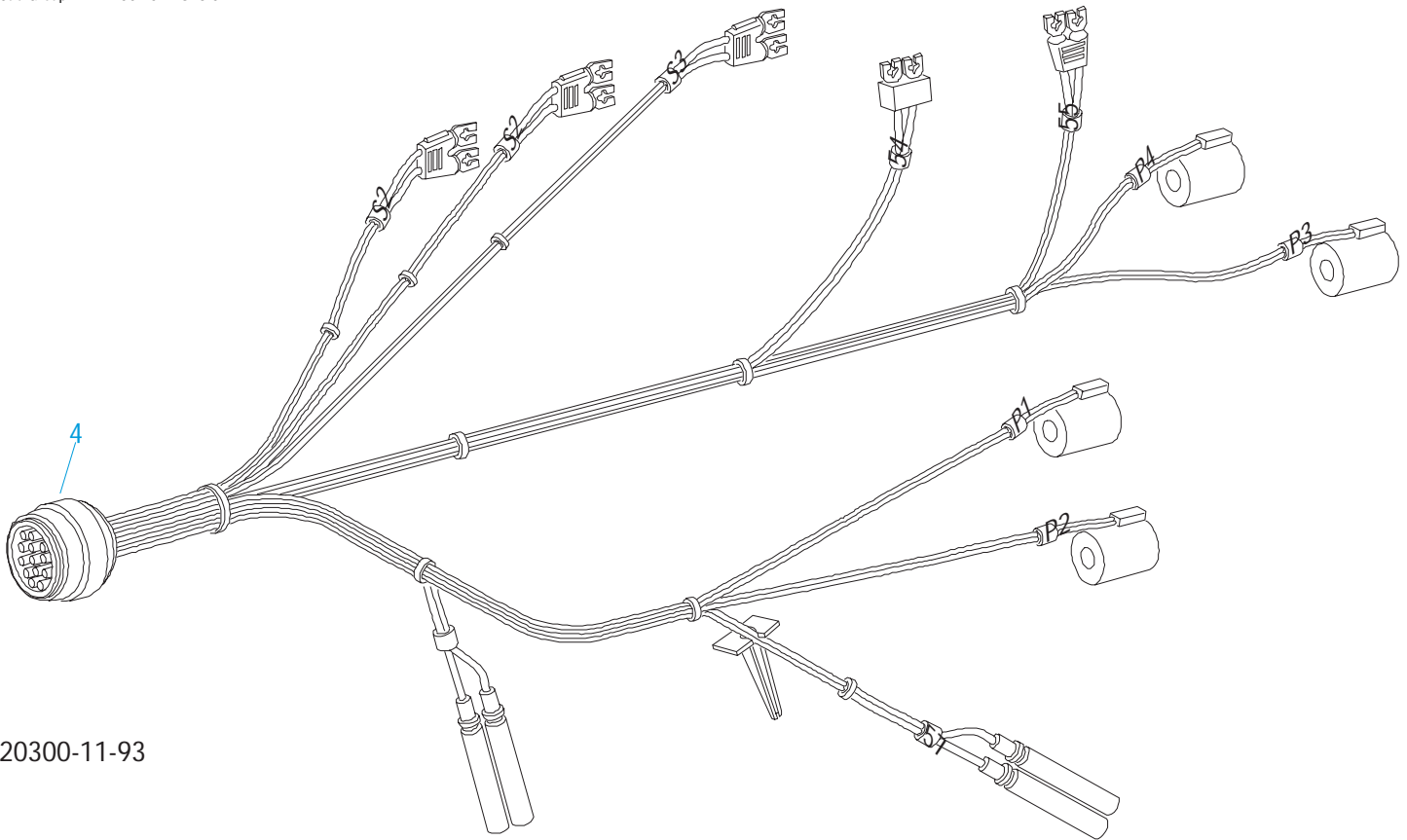
| Item | Current Part | Description | Replaced Part | Qty. | Notes | Kits/Assys Where Needed |
|------|--------------|----------------|---------------|------|-----------|-----------------------------------|
| 5 | 22427 | HOSE ASSY | | 1 | | K-2621 ,K-2643 |
| 6 | 23486 | CONNECTOR | | 1 | STRAIGHT | K-2621 ,K-2642 ,K-2643 |
| 7 | 22424 | ELBOW | | 1 | 90 DEGREE | K-2621 ,K-2642 ,K-2643 ,K-2644 |
| 8 | 22627 | OIL RESTRICTOR | | 1 | | K-2621 ,K-2642 ,K-2643 ,K-2644 |
| 9 | 11665 | CLAMP | | 1 | | |



HARNESSES & HARDWARE

HARNESS ASSY-TORQUE CONV

| Item | Current Part | Description | Replaced Part | Qty. | Notes | Kits/Assys Where Needed |
|------|--------------|--------------|------------------|------|----------------|------------------------------------------------------------|
| 7 | A-5519 | HARNESS ASSY | | 1 | | |
| 8 | 4300689 | SPACER | | 2 | | |
| 9 | K-3201 | BRACKET KIT | 4300625 ,4303346 | 1 | | |
| 10 | X-8L-681 | CAPSCREW | | 2 | 3/8"-16X2-3/4" | |
| 11 | 11665 | CLAMP | | 2 | | |
| 12 | X-1-809 | JAM NUT | | 2 | 1/2"-20 | |
| 13 | X-10-605 | WASHER | | 1 | 3/8" | K-2906 ,K-2980 ,K-2981 ,K-2982 ,K-2983 ,K-2983R ,K-3201 |
| 14 | K-3201 | BRACKET KIT | 4300625 ,4303346 | 1 | | |



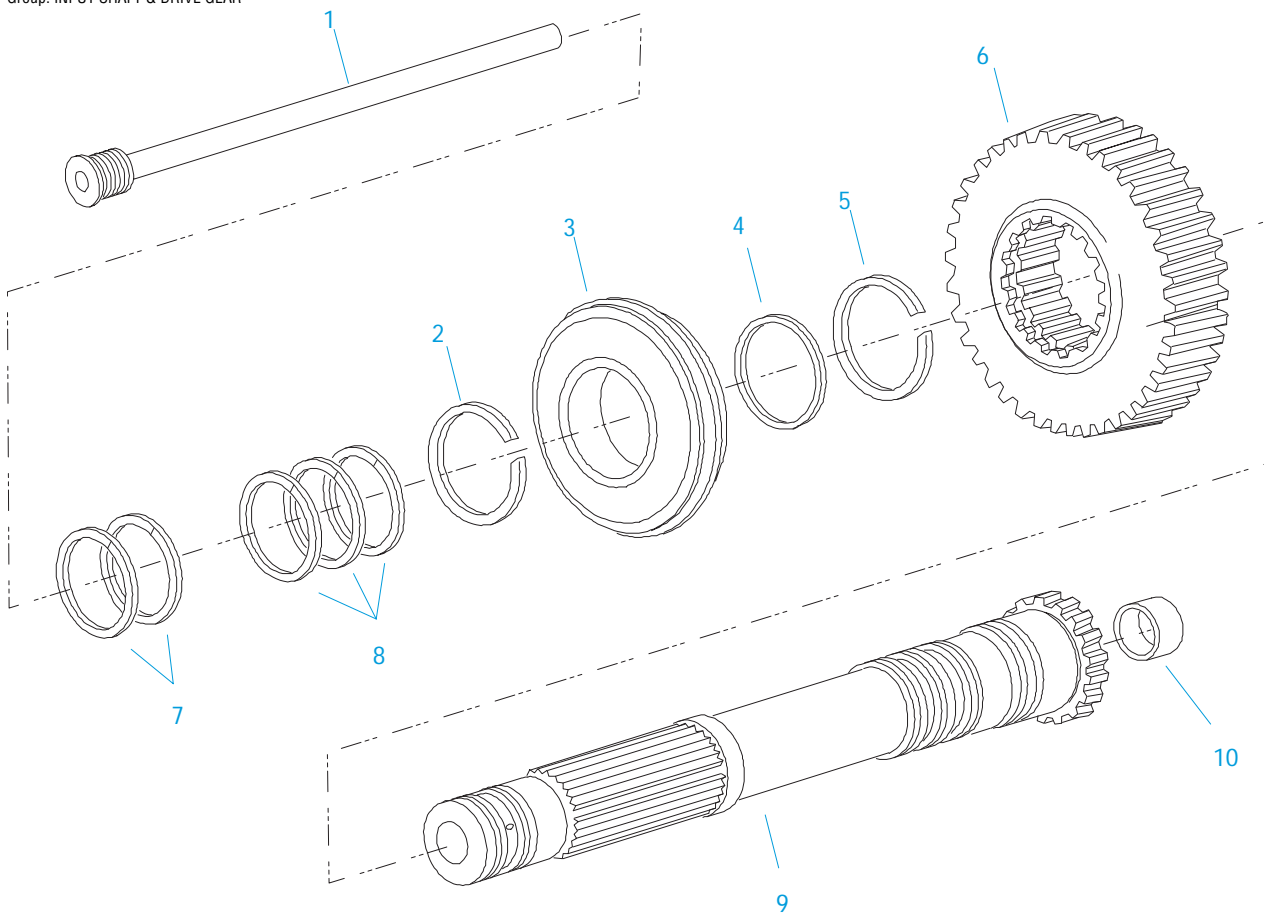
20300-11-93

HARNESSES & HARDWARE

HARNESS ASY-AUTO SHIFTER

| Item | Current Part | Description | Replaced Part | Qty. | Notes | Kits/Assys Where Needed |
|------|--------------|------------------|--------------------|------|-------|-------------------------|
| 4 | K-2981 | AUTO SHIFTER KIT | A - 5518 ,K - 2384 | 1 | | |

Group: INPUT SHAFT & DRIVE GEAR



20465-11-93

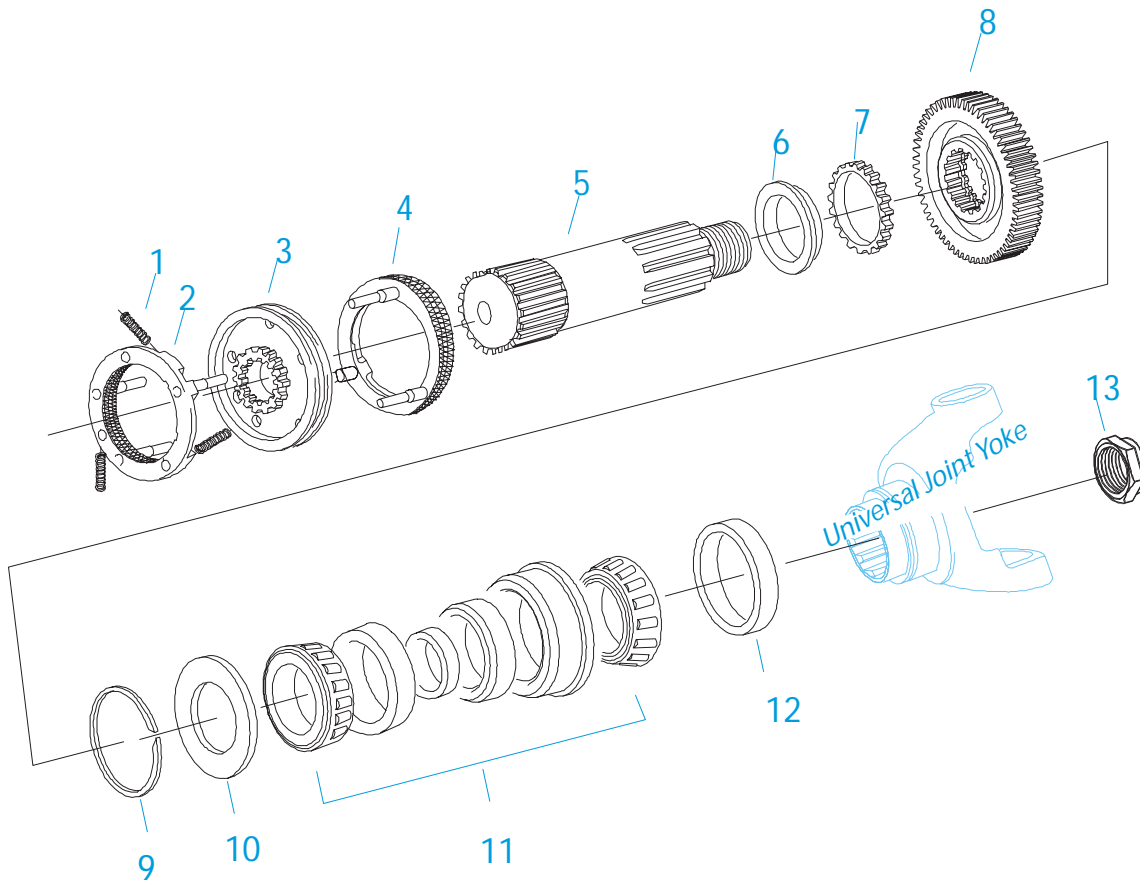
INPUT SHAFT & DRIVE GEAR

| Item | Current Part | Description | Replaced Part | Qty. | Notes | Kits/Assys Where Needed |
|------|--------------|----------------------|----------------|------|-------|----------------------------------------------------------------|
| 1 | 23402 | INPUT SHAFT OIL TUBE | | 1 | | S-1670 |
| 2 | 16980 | SNAP RING | | 1 | | K-2775 ,K-2776 ,K-2777 ,K-2830 |
| 3 | 81504 | BEARING | | 1 | | K-2289 ,K-2290 ,K-2775 ,K-2776 ,K-2777 ,K-2778 |
| 4 | 16463 | SPACER | | 1 | | K-2289 ,K-2290 ,K-2775 ,K-2776 ,K-2777 ,K-2778 ,K-2829 ,K-2830 |
| 5 | 14750 | SNAP RING | | 1 | | K-2289 ,K-2290 ,K-2775 ,K-2776 ,K-2777 ,K-2778 ,K-2829 ,K-2830 |
| 6 | 19239 | DRIVE GEAR | 21019 ,4302458 | 1 | | K-2398 ,K-2504 ,K-2990 |
| 7 | 22428 | PISTON RING | | 2 | | K-2398 ,K-2504 |
| 8 | 23438 | PISTON RING | | 3 | | K-2391 ,K-2775 ,K-2776 ,K-2777 |
| 9 | S-1670 | INPUT SHAFT ASSY | 23395 | 1 | | K-2289 ,K-2290 ,K-2778 ,S-1670 |
| 10 | 20171 | BUSHING | | 1 | | |

KITS & ASSEMBLIES

| Item | Current Part | Description | Replaced Part | Qty. | Notes | Kits/Assys Where Needed |
|--------|--------------|--------------------------|---------------------------------------------------|------|----------------------|------------------------------------------------|
| K-2625 | | #1 CONVERTER HSG KIT | | 1 | | |
| K-2990 | | 16" CONV. REBUILD KIT | | 1 | | |
| K-2643 | | 6 BOLT OIL LINE KIT | | 1 | | |
| K-2642 | | 6 BOLT ROTATED LINE KIT | | 1 | | |
| K-2644 | | 8 BOLT OIL LINE KIT | | 1 | | |
| K-2983 | | AUTO SHIFTER KIT | A - 5517 ,K - 2635 | 1 | | |
| K-2981 | | AUTO-SHIFTER HARNESS KI | A - 5518 ,K - 2384 | 1 | | |
| K-2982 | | AUTO-SHIFTER HARNESS KIT | K - 2396 | 1 | 24 VOLT | |
| K-2385 | | AUTO-SHIFTER KIT | | 1 | | |
| K-2633 | | BALL SWITCH KIT | | 1 | | |
| K-2776 | | BASIC OVERHAUL KIT | | 1 | ATE | |
| K-2777 | | BASIC OVERHAUL KIT | | 1 | ATR | |
| K-2775 | | BASIC OVERHAUL KIT | | 1 | AT/ATS | |
| K-2289 | | BASIC REBUILD KIT | | 1 | ATE | |
| K-2290 | | BASIC REBUILD KIT | | 1 | ATR | |
| K-2778 | | BASIC REBUILD KIT | | 1 | AT/ATS | |
| K-2757 | | BRACKET KIT | | 1 | | |
| S-1785 | | CASE ASSY | 23583 | 1 | | |
| S-2015 | | CONVERTER HOUSING ASSY | | 1 | | |
| K-2388 | | CONVERTER HOUSING KIT | 4300323 ,4300377 | 1 | | |
| K-2398 | | CONVERTOR SEAL KIT | | 1 | | K-2390 ,K-2391 ,K-2625 ,K-2646R ,K-2647R |
| K-2935 | | COUNTERSHAFT REPL KIT | 20804 ,22411 | 1 | | |
| K-2934 | | COUNTERSHAFT REPL KIT | 19549 | 1 | | |
| K-2831 | | CYLINDER KIT-RANGE | | 1 | | |
| K-2632 | | ENG SPEED SENSOR KIT | 22569 | 1 | | |
| K-2301 | | FILTER REGULATOR KIT | | 1 | | |
| K-2172 | | GASKET KIT | | 1 | | K-2289 ,K-2290 ,K-2775 ,K-2776 ,K-2777 ,K-2778 |
| S-1670 | | INPUT SHAFT ASSY | 23395 | 1 | | K-2391 ,K-2775 ,K-2776 ,K-2777 |
| K-2391 | | INPUT SHAFT KIT | | 1 | | |
| K-2439 | | KEY & WASHER KIT | | 1 | CONTAINS 3-SIDED KEY | |
| S-2688 | | MAINSHAFT ASSY | 4303404 ,4303913 | 1 | | |
| K-2634 | | NO LONGER AVAILABLE | 4300549 | 1 | A-RATIO | |
| S-2189 | | NO LONGER AVAILABLE | | 1 | B-RATIO/ATR | |
| S-2187 | | NO LONGER AVAILABLE | | 1 | A-RATIO/ATR | |
| S-2178 | | NO LONGER AVAILABLE | 4302015 | 1 | ATR | |
| K-2802 | | -O- RING KIT-RANGE | | 1 | | K-2289 ,K-2290 ,K-2775 ,K-2776 ,K-2777 ,K-2778 |
| K-1698 | | -O- RING/ELEMENT KIT | | 1 | FOR FILTER REGULATOR | |
| K-2314 | | OIL FILTER KIT | | 1 | | K-2990 |
| S-2370 | | OIL PAN ASSY | | 1 | OFFSET | K-2915 |
| S-2369 | | OIL PAN COVER ASSY | | 1 | LOW PROFILE | K-2914 |
| K-2915 | | OIL PAN RETRO KIT | | 1 | OFFSET | |
| K-2403 | | OIL PAN RETRO KIT | | 1 | STANDARD | |
| K-2914 | | OIL PAN RETRO KIT | | 1 | LOW PROFILE | |
| K-2911 | | OIL PUMP KIT | 4300747 ,4302714 | 1 | | |
| K-2504 | | OIL PUMP KIT | | 1 | | |
| K-3651 | | OIL SEAL TOOL KIT | | 1 | | |
| K-2262 | | OIL SEAL W/SLINGER | 19109 20807 20808 | 1 | | K-2289 ,K-2290 ,K-2775 ,K-2776 ,K-2777 ,K-2778 |
| K-2621 | | POWER SYNCO LUBE KIT | | 1 | | |
| S-2181 | | RANGE SECTION ASSY | | 1 | A-RATIO/AT-ATS | |
| S-2183 | | RANGE SECTION ASSY | | 1 | B-RATIO/AT-ATS | |
| S-2185 | | RANGE SECTION ASSY | | 1 | B-RATIO/ATE | |
| S-2113 | | REAR BRG COVER ASSY | 4302027 | 1 | AT-ATS | |
| S-2119 | | REAR BRG COVER ASSY | 20048 ,22045 ,4302009 ,4302031 ,S - 1558 S - 1560 | 1 | ATE | |

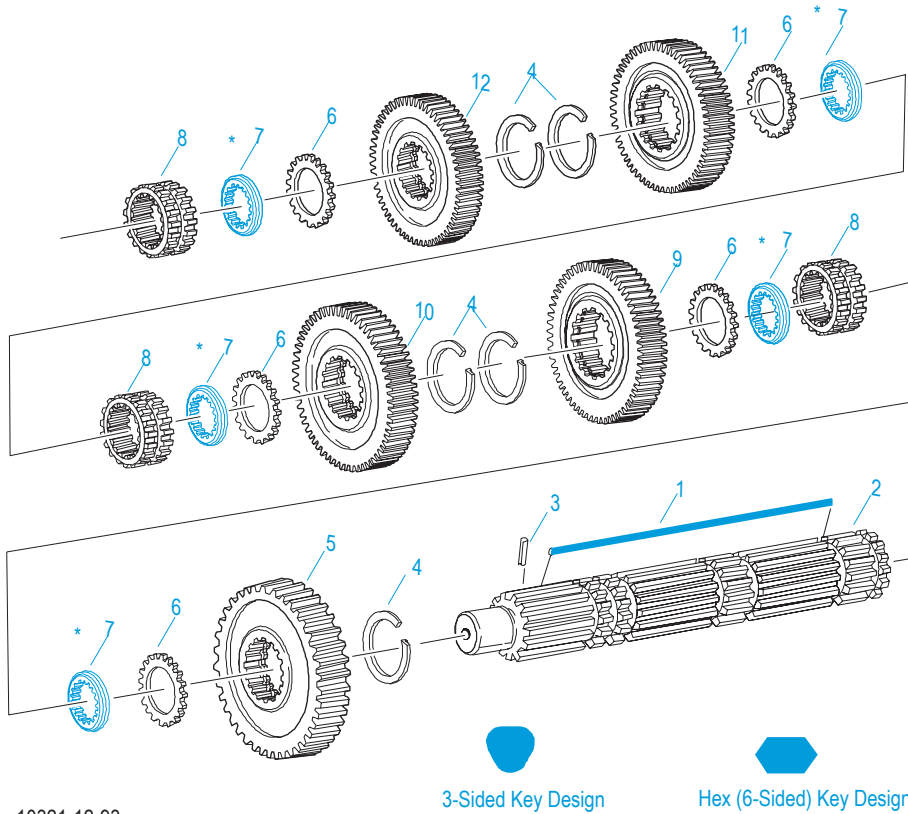
| Item | Current Part | Description | Replaced Part | Qty. | Notes | Kits/Assys Where Needed |
|------|--------------|-----------------------|--------------------|------|----------------|-------------------------|
| | K-2647R | REMAN 16-C CNVTR KIT | K - 3082 | 1 | | |
| | K-2646R | REMAN 16-D CNVTR KIT | K - 3083 | 1 | | |
| | K-2983R | REMAN AUTOSHIFTER KIT | K - 3080 | 1 | | |
| | K-2387R | REMAN HYDRA VALVE KIT | K - 2387 ,K - 3085 | 1 | | |
| | K-2400R | REMAN PWR SYNCHRO KIT | K - 3077 | 1 | B-RATIO-ATR | |
| | K-2397R | REMAN PWR SYNCHRO KIT | K - 3076 | 1 | A-RATIO-ATR | |
| | K-2392R | REMAN PWR SYNCHRO KIT | K - 3079 | 1 | B-RATIO-AT/ATS | |
| | K-2781R | REMAN PWR SYNCHRO KIT | K - 3078 | 1 | A-RATIO-AT/ATS | |
| | K-2630 | REPL KIT-DRIVE GEAR | 4300548 | 1 | B-RATIO | |
| | K-2980 | SENSOR UPDATE KIT | 22567 ,K - 2631 | 1 | | |
| | K-2754 | SHIFT BAR HSG ASSY | 22596 | 1 | HOUSING ONLY | |
| | S-1876 | SHIFT BAR HSG ASSY | 22596 | 1 | COMPLETE | |
| | K-2829 | SMALL PARTS KIT | | 1 | ATR | |
| | K-2830 | SMALL PARTS KIT | | 1 | AT/ATS/ATE | |
| | S-1676 | STATOR SUPPORT ASSY | 23397 | 1 | | K-2390 |
| | K-2390 | STATOR SUPPORT KIT | | 1 | | |
| | K-2877 | SUMP TUBE RETURN KIT | K - 2620 | 1 | | |
| | K-2875 | THROTTLE SENSOR KIT | K - 2505 | 1 | 60" CABLE | |
| | K-2874 | THROTTLE SENSOR KIT | K - 2325 | 1 | 45" CABLE | |
| | K-2876 | THROTTLE SENSOR KIT | K - 2324 | 1 | 30" CABLE | |



20531-11-93

MAINSHAFT & SYNCHRO(AUX)

| Item | Current Part | Description | Replaced Part | Qty. | Notes | Kits/Assys Where Needed |
|------|--------------|-----------------------|----------------------------|------|----------|----------------------------------------------------------------|
| 1 | 14897 | SPRING | | 3 | | K-2289 ,K-2290 ,K-2775 ,K-2776 ,K-2777 ,K-2778 ,K-2829 ,K-2830 |
| 2 | A-7331 | SYNCHRONIZER ASSY | 4304396 ,4304397 ,A - 5917 | 1 | HI RANGE | |
| 3 | 22915 | SLIDING CLUTCH | | 1 | | |
| 4 | A-7254 | SYNCHRONIZER ASSEMBLY | A - 4937 ,A - 5876 | 1 | LO RANGE | |
| 5 | 19281 | MAINSHAFT | | 1 | | |
| 6 | 14332 | WASHER | | 1 | | K-2829 |
| 7 | 23099 | WASHER | | 1 | | K-2829 |
| 8 | 23098 | NO LONGER AVAILABLE | | 1 | | |
| 9 | 14327 | SNAP RING | | 1 | | K-2829 |
| 10 | 19466 | WASHER | | 1 | | K-2829 |
| 11 | 14367 | BEARING | | 1 | | K-2290 ,K-2777 |
| 12 | 14375 | SPACER | | 1 | | |
| 13 | 22254 | NUT | 11956 | 1 | | S-2185 ,S-2189 |



10321-12-93

- * Updating to 3-Sided Key is Recommended.
- When Updating to 3-Sided Key Replace all Washers to Match Key Design
- Always Use Matching Key and Washer Sets (See Appendix - Mainshaft Washers)

MAINSHAFT ASSY

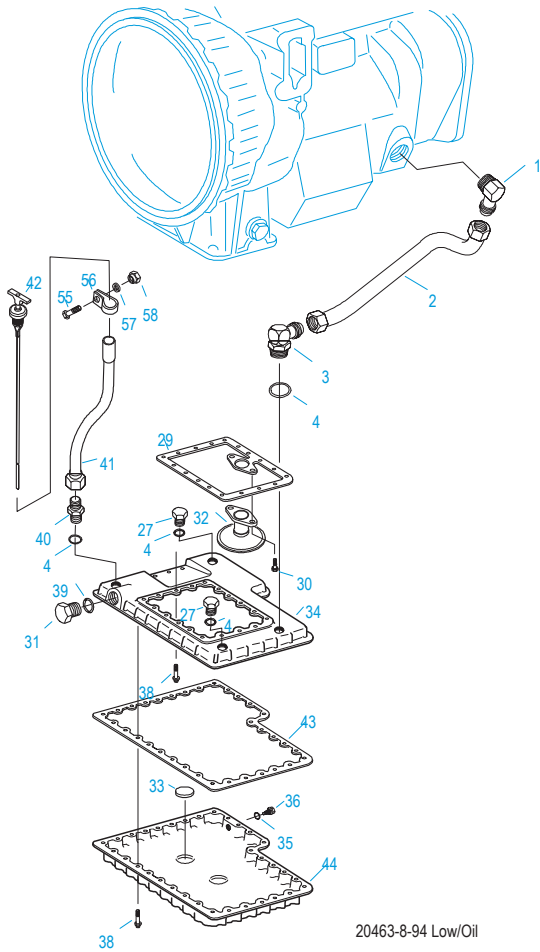
| Item | Current Part | Description | Replaced Part | Qty. | Notes | Kits/Assys Where Needed |
|------|--------------|------------------------|------------------|------|-----------------------------------------------------------------------------|----------------------------------------------------------------|
| 1 | 4304615 | 3-SIDED KEY | 4300120 | 1 | | K-2439 ,K-2830 |
| 1 | K-2439 | KEY & WASHER KIT | | 1 | CONTAINS 3-SIDED KEY | |
| 2 | S-2688 | MAINSHAFT ASSY | 4303404 ,4303913 | 1 | | |
| 3 | 62504 | ROLL PIN | | 1 | | S-2688 |
| 4 | 14750 | SNAP RING | | 5 | | K-2289 ,K-2290 ,K-2775 ,K-2776 ,K-2777 ,K-2778 ,K-2829 ,K-2830 |
| 5 | 16756 | REVERSE GEAR-MAINSHAFT | 22408 | 1 | | |
| 6 | 14749 | SPACER | | 4 | | K-2829 ,K-2830 |
| 7 | 4300830 | WASHER .244-BLUE | | 5 | | K-2439 ,K-2829 ,K-2830 |
| 7 | 4300382 | WASHER .249-WHITE | | 5 | | K-2439 ,K-2829 ,K-2830 |
| 7 | 4300383 | WASHER .254-GREEN | | 5 | OPTIONAL 4300382-4300387 OR 4300830 USE ANY 5 WASHERS. USE WITH 3-SIDED KEY | K-2439 ,K-2829 ,K-2830 |
| 7 | 4300384 | WASHER .259-ORANGE | | 5 | OPTIONAL 4300382-4300387 OR 4300830 USE ANY 5 WASHERS. USE WITH 3-SIDED KEY | K-2439 ,K-2829 ,K-2830 |
| 7 | 4300385 | WASHER .264-PURPLE | | 5 | OPTIONAL 4300382-4300387 OR 4300830 USE ANY 5 WASHERS. USE WITH 3-SIDED KEY | |
| 7 | 4300386 | WASHER .269-YELLOW | | 5 | OPTIONAL 4300382-4300387 OR 4300830 USE ANY 5 WASHERS. USE WITH 3-SIDED KEY | |
| 7 | 4300387 | WASHER .274-BLACK | | 5 | OPTIONAL 4300382-4300387 OR 4300830 USE ANY 5 WASHERS. USE WITH 3-SIDED KEY | |
| 8 | 22412 | SLIDING CLUTCH | | 3 | | K-2775 ,K-2776 ,K-2777 |

| Item | Current Part | Description | Replaced Part | Qty. | Notes | Kits/Assys Where Needed |
|------|--------------|--------------------|----------------|------|-------|-------------------------|
| 9 | 16754 | LO GEAR-MAINSHAFT | | 1 | | |
| 10 | 21024 | 1ST GEAR-MAINSHAFT | 19628 | 1 | | |
| 11 | 19622 | 2ND GEAR-MAINSHAFT | 21263 ,4300246 | 1 | | |
| 12 | 21261 | OD GEAR-MAINSHAFT | 19638 | 1 | | |

MISCELLANEOUS

| Item | Current Part | Description | Replaced Part | Qty. | Notes | Kits/Assys Where Needed |
|------|--------------|---------------------|---------------|------|----------------------------------|---------------------------------------------------|
| | 71204 | ADHESIVE SEALANT | | 1 | 0.5 CC (SINGLE APPLICATION SIZE) | |
| | 71205 | SEALANT | | 1 | 2 CC (SINGLE APPLICATION SIZE) | K-2314 ,K-2775 ,K-2776 ,K-2777 ,K-2980 ,K-2990 |
| | 4301067 | SHIFT DIAGRAM LABEL | | 1 | 6 POS REVERSE FORWARD | |
| | 4301121 | SHIFT DIAGRAM LABEL | | 1 | 7 POS REVERSE REARWARD | |
| | 4301065 | SHIFT DIAGRAM LABEL | | 1 | 5 POS REVERSE FORWARD | |
| | 4301068 | SHIFT DIAGRAM LABEL | | 1 | 6 POS REVERSE REARWARD | |
| | 4301120 | SHIFT DIAGRAM LABEL | | 1 | 7 POS REVERSE FORWARD | |
| | 4301066 | SHIFT DIAGRAM LABEL | | 1 | 5 POS REVERSE REARWARD | |
| | 71206 | SILICONE LUBE | | 1 | 4 CC (SINGLE APPLICATION SIZE) | K-2314 ,K-2802 ,K-2831 |
| | 71203 | SILICONE LUBE | | 1 | 8 OZ (236.59 CC)-FLEET SIZE | |

Group: OIL PANS & OIL LINES
 Sub-Group: OIL PAN-LOW PROFILE



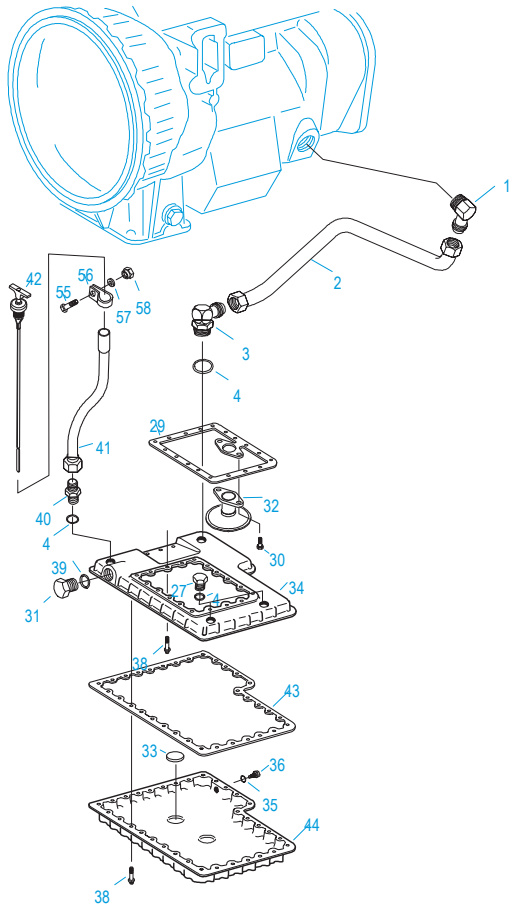
OIL PANS & OIL LINES

OIL PAN-LOW PROFILE

| Item | Current Part | Description | Replaced Part | Qty. | Notes | Kits/Assys Where Needed |
|------|--------------|---------------------|---------------|------|--------------|--------------------------------------------------|
| 1 | 4301100 | ELBOW | 23597 | 1 | | K-2877 |
| 2 | 4302599 | SUMP RETURN TUBE LH | | 1 | | K-2914 |
| 3 | 4302597 | ELBOW 90 DEGREES | | 1 | | K-2914 |
| 4 | 23109 | -O- RING | | 4 | | K-2388 ,K-2625 ,K-2877 K-2914 ,K-2915 |
| 27 | 22478 | PLUG | | 2 | | K-2914 ,K-2915 |
| 29 | 22474 | GASKET | | 1 | | K-2172 ,K-2314 ,K-2388 K-2403 ,K-2625 ,K-2914 |
| 30 | X-8C-500 | CAPSCREW | | 2 | 18X1-1/4" | K-2914 |
| 31 | 23028 | PLUG | | 1 | | K-2914 |
| 32 | 4302596 | OIL TRANSFER TUBE | | 1 | | K-2914 |
| 33 | 14373 | MAGNET | | 2 | | S-1785 |
| 34 | 4302591 | OIL PAN | | 1 | | K-2914 |
| 35 | 4300484 | WASHER | | 1 | | |
| 36 | 4300438 | DRAIN PLUG | | 1 | | |
| 38 | X-8C-550 | CAPSCREW | | 53 | 5/16"-18X1" | K-2403 ,K-2914 |
| 39 | 23029 | -O- RING | | 1 | | K-2388 ,K-2625 ,K-2914 |
| 40 | 22431 | CONNECTOR | | 1 | | |
| 41 | 5500511 | OIL FILL TUBE | | 1 | STANDARD | |
| 42 | 5501028 | DIPSTICK | 5501016 | 1 | STANDARD | |
| 43 | 4302595 | OIL PAN GASKET | | 1 | | S-2369 |
| 44 | 4302593 | OIL COVER | | 1 | | |
| 55 | X-8-601 | CAPSCREW | | 1 | 3/8"-16X3/4" | |

| Item | Current Part | Description | Replaced Part | Qty. | Notes | Kits/Assys Where Needed |
|------|--------------|-------------|---------------|------|---------|------------------------------------------------------------|
| 56 | 4300626 | CLAMP | | 1 | | K-2874 ,K-2875 ,K-2876 |
| 57 | X-10-605 | WASHER | | 1 | 3/8" | K-2906 ,K-2980 ,K-2981 ,K-2982 ,K-2983 ,K-2983R ,K-3201 |
| 58 | X-9-604 | NUT | | 1 | 3/8"-16 | |

Group: OIL PANS & OIL LINES
 Sub-Group: OIL PAN-LOW PROFILE/RT



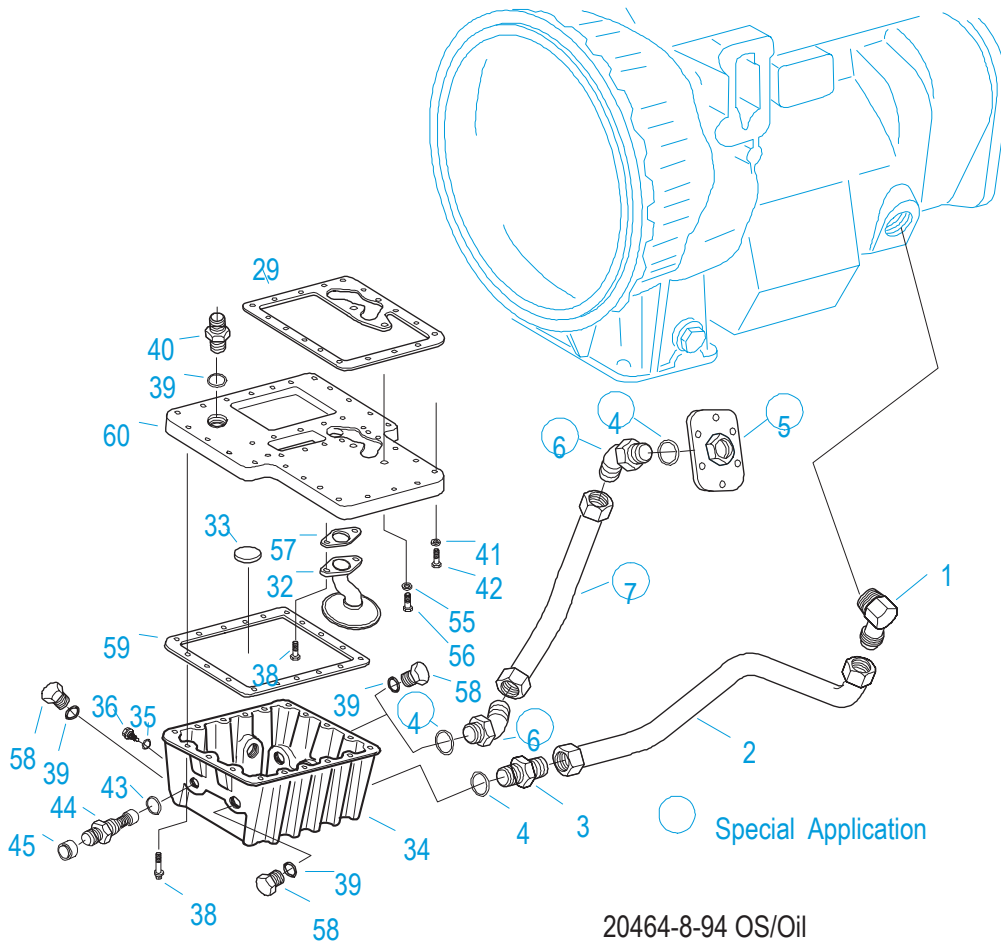
20462-8-94 Low/Rt

OIL PANS & OIL LINES

OIL PAN-LOW PROFILE/RT

| Item | Current Part | Description | Replaced Part | Qty. | Notes | Kits/Assys Where Needed |
|------|--------------|---------------------|---------------|------|--------------|--------------------------------------------------|
| 1 | 4301100 | ELBOW | 23597 | 1 | | K-2877 |
| 2 | 4302598 | SUMP RETURN TUBE RH | | 1 | | |
| 3 | 22478 | PLUG | | 1 | | K-2914 ,K-2915 |
| 4 | 23109 | -O- RING | | 4 | | K-2388 ,K-2625 ,K-2877 K-2914 ,K-2915 |
| 27 | 22478 | PLUG | | 2 | | K-2914 ,K-2915 |
| 29 | 22474 | GASKET | | 1 | | K-2172 ,K-2314 ,K-2388 K-2403 ,K-2625 ,K-2914 |
| 30 | X-8C-500 | CAPSCREW | | 2 | 18X1-1/4" | K-2914 |
| 31 | 23028 | PLUG | | 1 | | K-2914 |
| 32 | 4302596 | OIL TRANSFER TUBE | | 1 | | K-2914 |
| 33 | 14373 | MAGNET | | 2 | | S-1785 |
| 34 | 4302591 | OIL PAN | | 1 | | K-2914 |
| 35 | 4300484 | WASHER | | 1 | | |
| 36 | 4300438 | DRAIN PLUG | | 1 | | |
| 38 | X-8C-550 | CAPSCREW | | 53 | 5/16"-18X1" | K-2403 ,K-2914 |
| 39 | 23029 | -O- RING | | 1 | | K-2388 ,K-2625 ,K-2914 |
| 40 | 22431 | CONNECTOR | | 1 | | |
| 41 | 5500511 | OIL FILL TUBE | | 1 | STANDARD | |
| 42 | 5501028 | DIPSTICK | 5501016 | 1 | STANDARD | |
| 43 | 4302595 | OIL PAN GASKET | | 1 | | S-2369 |
| 44 | 4302593 | OIL COVER | | 1 | | |
| 55 | X-8-601 | CAPSCREW | | 1 | 3/8"-16X3/4" | |

| Item | Current Part | Description | Replaced Part | Qty. | Notes | Kits/Assys Where Needed |
|------|--------------|-------------|---------------|------|---------|------------------------------------------------------------|
| 56 | 4300626 | CLAMP | | 1 | | K-2874 ,K-2875 ,K-2876 |
| 57 | X-10-605 | WASHER | | 1 | 3/8" | K-2906 ,K-2980 ,K-2981 ,K-2982 ,K-2983 ,K-2983R ,K-3201 |
| 58 | X-9-604 | NUT | | 1 | 3/8"-16 | |

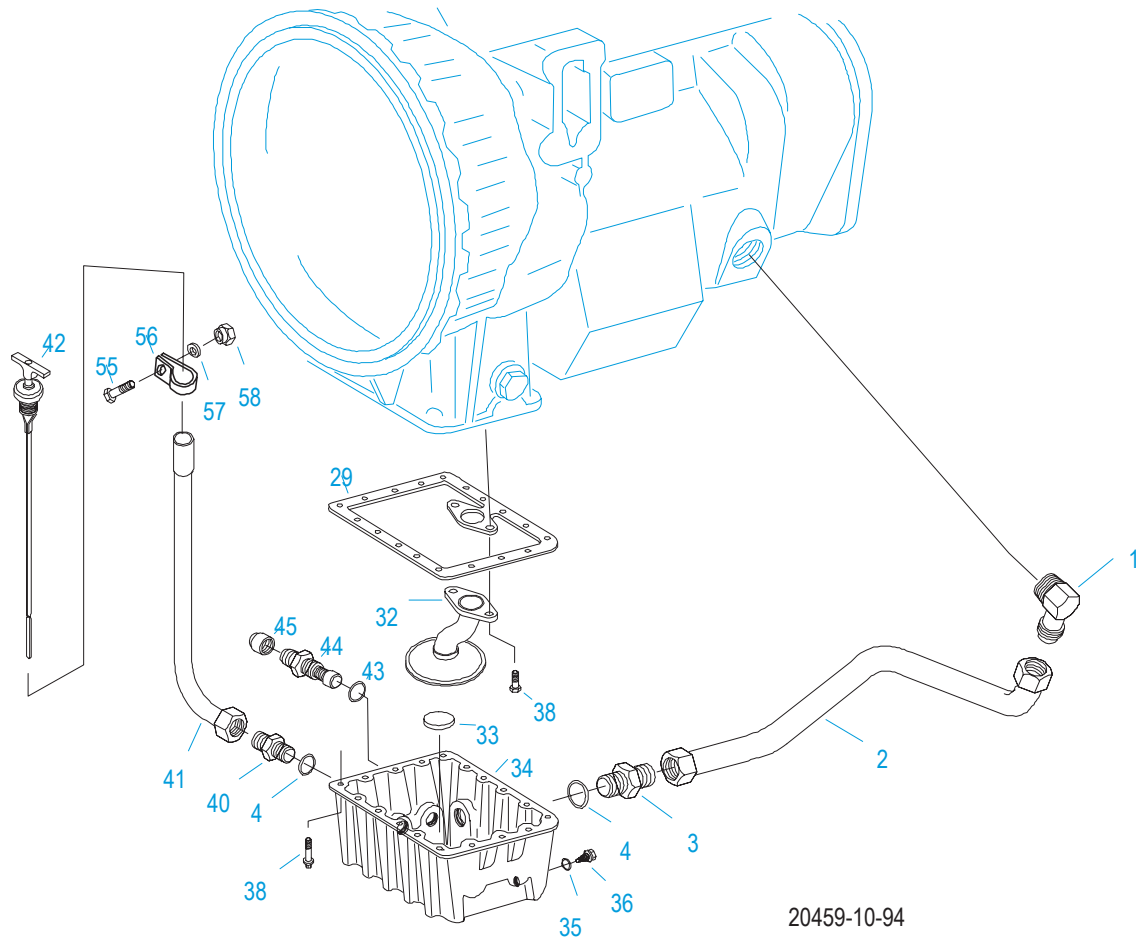


OIL PANS & OIL LINES

OIL PAN-OFFSET

| Item | Current Part | Description | Replaced Part | Qty. | Notes | Kits/Assys Where Needed |
|------|--------------|-------------------|---------------|------|----------------------|-------------------------------------------|
| 1 | 4301100 | ELBOW | 23597 | 1 | | K-2877 |
| 2 | 4301101 | TUBE | 23778 | 1 | | K-2877 |
| 3 | 23596 | CONNECTOR | | 1 | | K-2877 |
| 4 | 23109 | -O- RING | | 1 | QUANTITY AS REQUIRED | K-2388 ,K-2625 ,K-2877 ,K-2914 ,K-2915 |
| 5 | 4301113 | COVER | | 1 | | |
| 6 | 22413 | ELBOW | | 2 | | |
| 7 | 4301112 | SIDE SLOPE TUBE | | 1 | | |
| 29 | 4301106 | GASKET | | 1 | | K-2915 |
| 32 | 4301601 | OIL TRANSFER TUBE | | 1 | | K-2403 |
| 33 | 14373 | MAGNET | | 1 | | S-1785 |
| 34 | 4301110 | OIL PAN | | 1 | | |
| 35 | 4300484 | WASHER | | 1 | | |
| 36 | 4300438 | DRAIN PLUG | | 1 | | |
| 38 | X-8C-550 | CAPSCREW | | 22 | 5/16"-18X1" | K-2403 ,K-2914 |
| 39 | 23109 | -O- RING | | 4 | | K-2388 ,K-2625 ,K-2877 ,K-2914 ,K-2915 |
| 40 | 22431 | CONNECTOR | | 1 | | |
| 41 | X-3-507 | CONICAL WASHER | | 20 | 5/16" | K-2915 |
| 42 | X-8L-540 | CAPSCREW | | 20 | 5/16"-18X1-7/8" | |
| 43 | 23029 | -O- RING | | 1 | | K-2388 ,K-2625 ,K-2914 |
| 44 | A-5754 | VALVE ASSY | | 1 | | K-2625 |
| 45 | 4300452 | CAP | | 1 | | |
| 55 | 4301114 | SEALING WASHER | | 2 | | K-2915 |

| Item | Current Part | Description | Replaced Part | Qty. | Notes | Kits/Assys Where Needed |
|------|--------------|-------------|---------------|------|-----------------|-------------------------|
| 56 | X-8L-540 | CAPSCREW | | 2 | 5/16"-18X1-7/8" | |
| 57 | 4301109 | GASKET | | 1 | | K-2915 |
| 58 | 22478 | PLUG | | 3 | | K-2914 ,K-2915 |
| 59 | 4301108 | GASKET | | 1 | | S-2370 |
| 60 | 4301107 | ADAPTER | | 1 | | K-2915 |



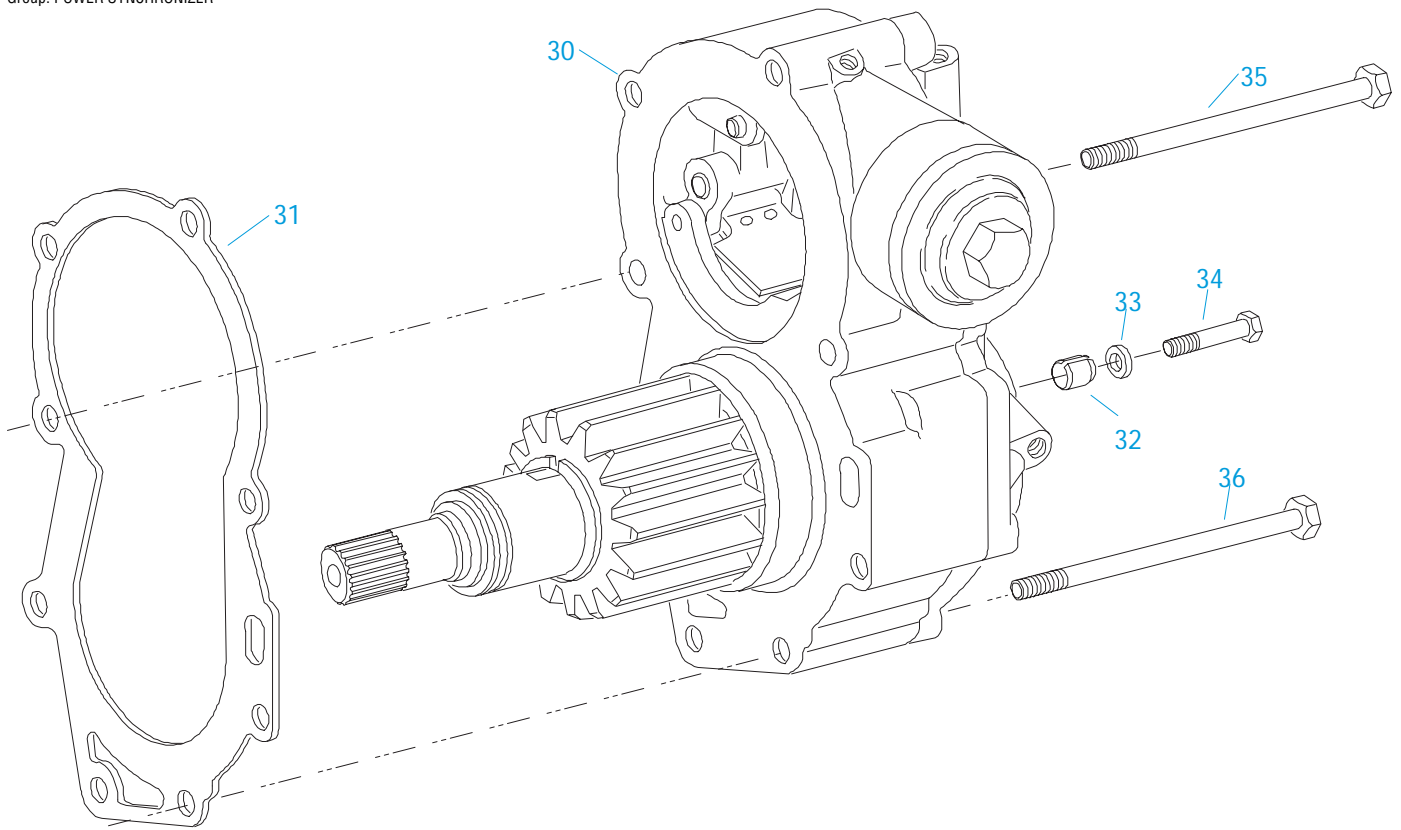
20459-10-94

OIL PANS & OIL LINES

OIL PAN-STANDARD

| Item | Current Part | Description | Replaced Part | Qty. | Notes | Kits/Assys Where Needed |
|------|--------------|-------------------|---------------|------|--------------|---------------------------------------------------|
| 1 | 4301100 | ELBOW | 23597 | 1 | | K-2877 |
| 2 | 4301101 | TUBE | 23778 | 1 | | K-2877 |
| 3 | 23596 | CONNECTOR | | 1 | | K-2877 |
| 4 | 23109 | -O- RING | | 2 | | K-2388 ,K-2625 ,K-2877 ,K-2914 ,K-2915 |
| 29 | 22474 | GASKET | | 1 | | K-2172 ,K-2314 ,K-2388 ,K-2403 ,K-2625 ,K-2914 |
| 32 | 4301601 | OIL TRANSFER TUBE | | 1 | | K-2403 |
| 33 | 14373 | MAGNET | | 1 | | S-1785 |
| 34 | 4300432 | OIL PAN | | 1 | | |
| 35 | 4300484 | WASHER | | 1 | | |
| 36 | 4300438 | DRAIN PLUG | | 1 | | |
| 38 | X-8C-550 | CAPSCREW | | 22 | 5/16"-18X1" | K-2403 ,K-2914 |
| 40 | 22431 | CONNECTOR | | 1 | | |
| 41 | 5500503 | OIL FILL TUBE | | 1 | STANDARD | |
| 42 | 5501021 | DIPSTICK | 5501004 | 1 | STANDARD | |
| 43 | 23029 | -O- RING | | 1 | | K-2388 ,K-2625 ,K-2914 |
| 44 | A-5754 | VALVE ASSY | | 1 | | K-2625 |
| 45 | 4300452 | CAP | | 1 | | |
| 55 | X-8-601 | CAPSCREW | | 1 | 3/8"-16X3/4" | |
| 56 | 4300626 | CLAMP | | 1 | | K-2874 ,K-2875 ,K-2876 |
| 57 | X-10-605 | WASHER | | 1 | 3/8" | K-2906 ,K-2980 ,K-2981 ,K-2982 ,K-2983 ,K- |

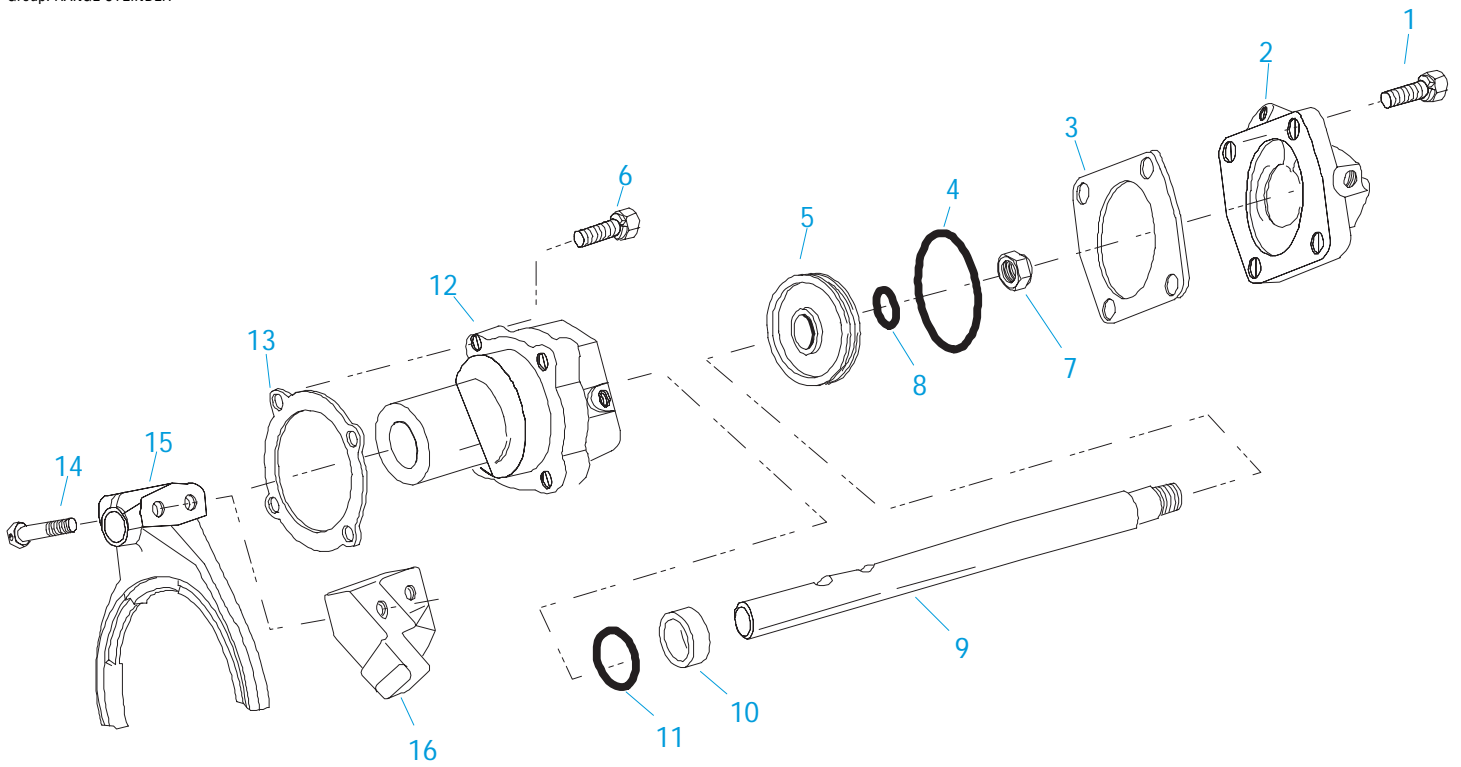
| Item | Current Part | Description | Replaced Part | Qty. | Notes | Kits/Assys Where Needed |
|------|--------------|-------------|---------------|------|---------|-------------------------|
| 58 | X-9-604 | NUT | | 1 | 3/8"-16 | 2983R ,K-3201 |



20541-11-93

POWER SYNCHRONIZER

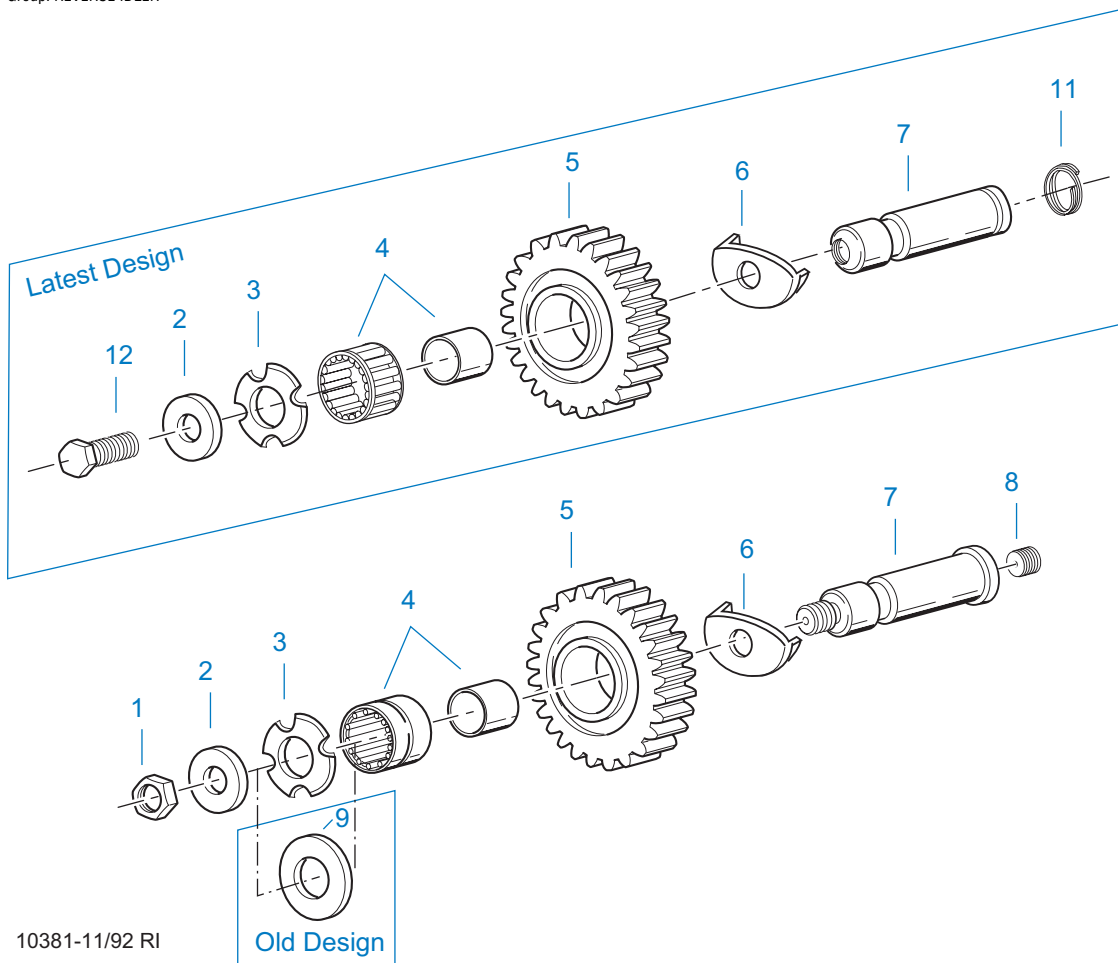
| Item | Current Part | Description | Replaced Part | Qty. | Notes | Kits/Assys Where Needed |
|------|--------------|-----------------------|---------------|------|----------------|--------------------------------------------|
| 30 | K-2400R | REMAN PWR SYNCHRO KIT | K - 3077 | 1 | | |
| 31 | 22607 | GASKET | | 1 | | K-2172 ,K-2392R ,K-2397R ,K-2400R ,K-2781R |
| 32 | 62525 | ROLL PIN | | 2 | | |
| 33 | X-10-401 | WASHER | | 2 | 9/32" | |
| 34 | X-8-413 | CAPSCREW | | 2 | 1/4"-20X1-1/2" | |
| 35 | X-8L-636 | CAPSCREW | | 7 | 3/8"-16X3-3/4" | |
| 36 | X-8L-621 | CAPSCREW | | 1 | 3/8"-16X5" | |



20536-11-93

RANGE CYLINDER

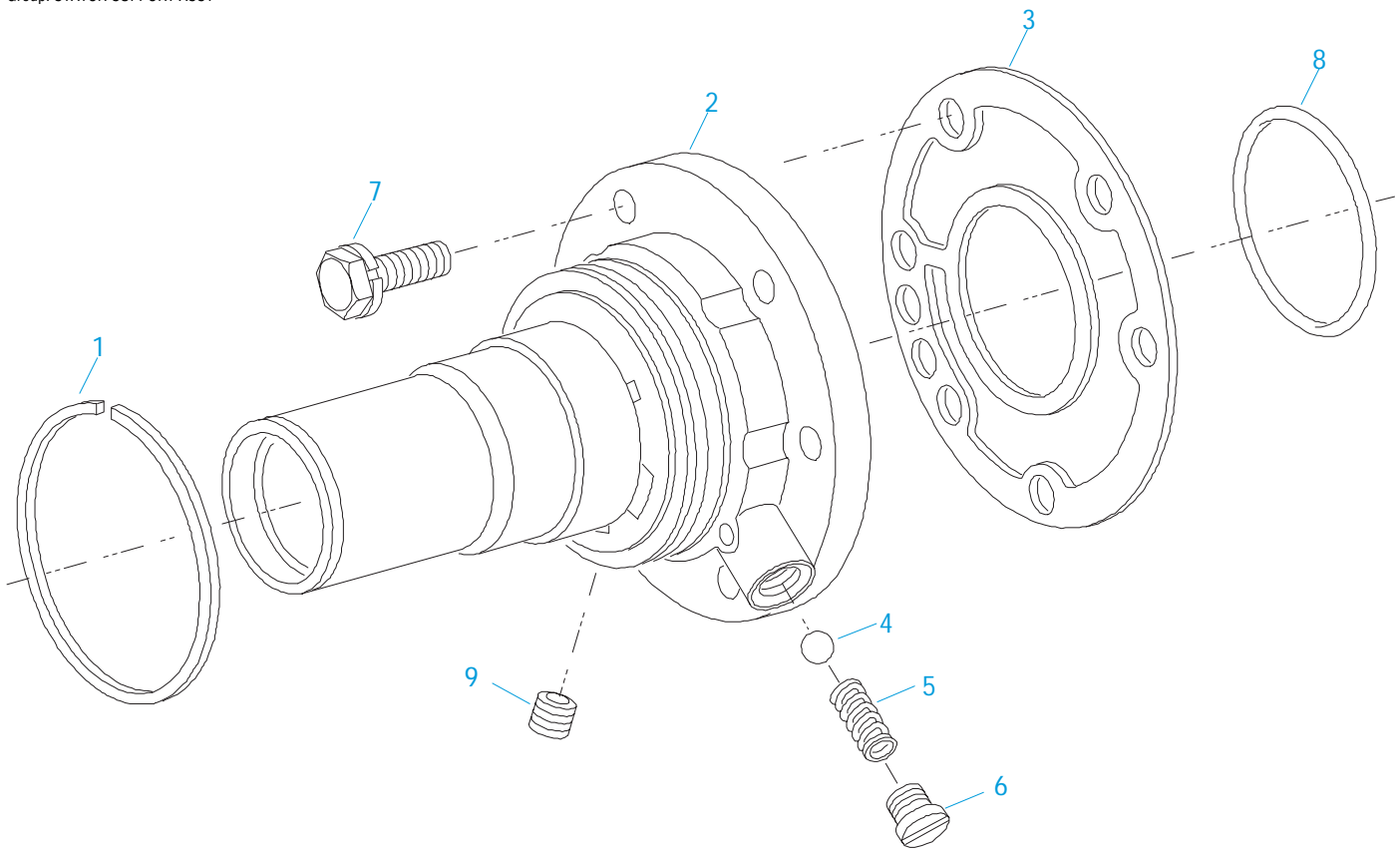
| Item | Current Part | Description | Replaced Part | Qty. | Notes | Kits/Assys Where Needed |
|------|--------------|---------------------|---------------|------|----------------|-------------------------|
| 1 | X-8L-604 | CAPSCREW | | 4 | 3/8"-16X1-1/4" | |
| 2 | 19690 | CYLINDER COVER | | 1 | | |
| 3 | 14349 | GASKET | | 1 | | K-2172 ,K-2802 ,K-2831 |
| 4 | 14344 | -O- RING | | 1 | | K-2802 ,K-2831 |
| 5 | 14341 | PISTON | 23353 | 1 | | K-2831 |
| 6 | X-8L-604 | CAPSCREW | | 4 | 3/8"-16X1-1/4" | |
| 7 | X-1-1010 | NUT | | 1 | 5/8"-18 | K-2802 ,K-2831 |
| 8 | 14345 | -O- RING | | 1 | | K-2802 ,K-2831 |
| 9 | 16993 | YOKE BAR | | 1 | | |
| 10 | 22542 | BUSHING | | 1 | | A-5371 |
| 11 | 14765 | -O- RING | | 1 | | K-2802 ,K-2831 |
| 12 | A-5371 | RANGE CYLINDER ASSY | 22543 | 1 | | K-2831 |
| 13 | 14347 | GASKET | | 1 | | K-2172 ,K-2802 ,K-2831 |
| 14 | X-8-825 | CAPSCREW | | 2 | 1/2"-13X2-3/8" | |
| 15 | 4301642 | SHIFT YOKE | 22888 | 1 | | |
| 16 | 22416 | BRACKET | | 1 | | |



10381-11/92 RI

REVERSE IDLER

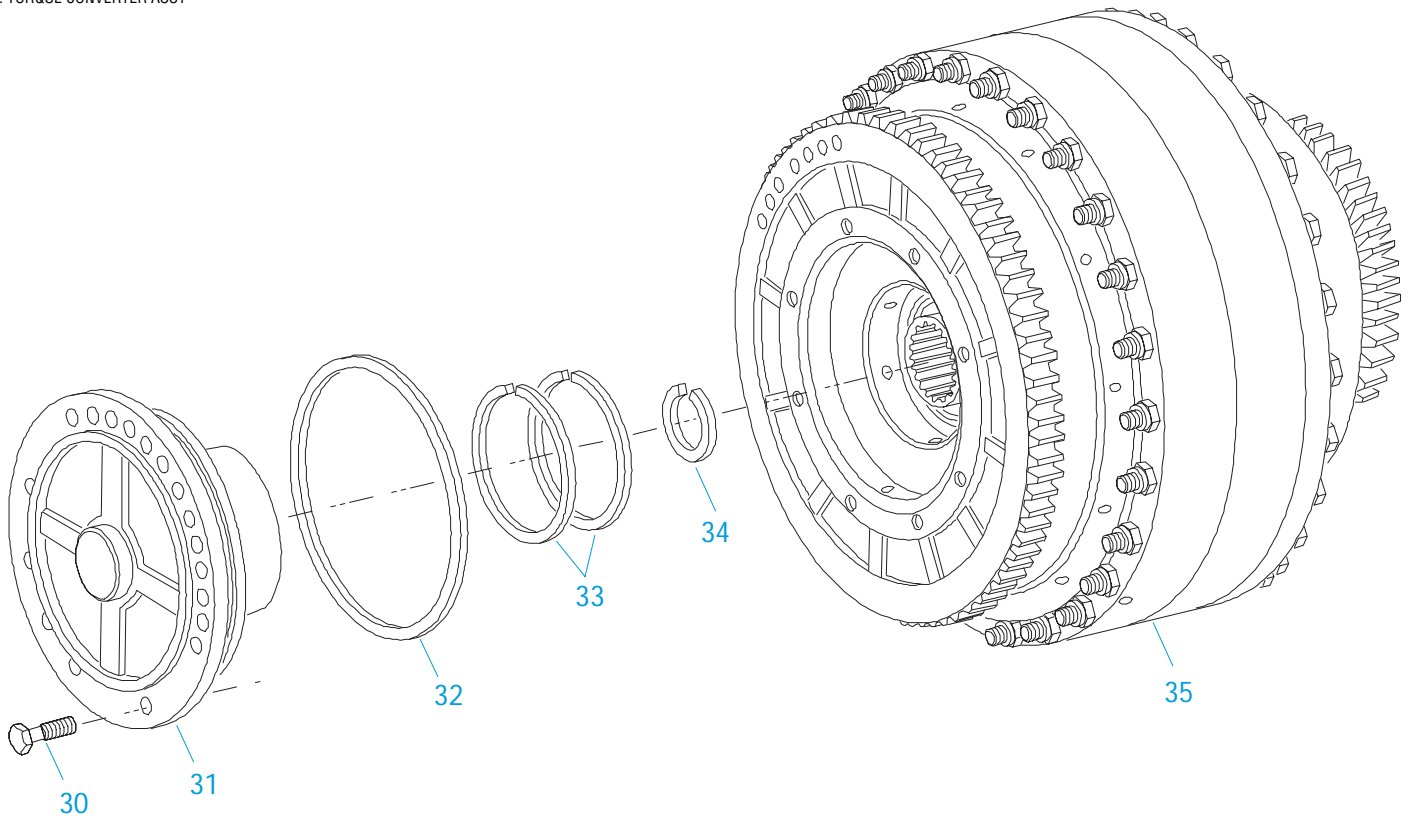
| Item | Current Part | Description | Replaced Part | Qty. | Notes | Kits/Assys Where Needed |
|------|--------------|----------------------|---------------|------|---------------|-------------------------|
| 1 | X-1-1008 | NUT | | 2 | 5/8"-18 | |
| 2 | 14283 | IDLER PLATE | | 2 | | K-3217 |
| 3 | 4302982 | WASHER | 14282 | 2 | | K-3217 ,S-1412 |
| 4 | 14287 | BEARING | 4305020 | 2 | | K-1866 ,K-1980 |
| 5 | 16757 | REVERSE IDLER GEAR | 22409 | 2 | | |
| 6 | 16403 | WASHER | | 2 | | K-3217 |
| 7 | K-3217 | IDLER SHAFT REPL KIT | 4302981 | 2 | | |
| 8 | 5202 | PLUG | | 2 | | |
| 9 | 14282 | NO LONGER AVAILABLE | | 2 | | |
| 11 | 4303336 | RETAINING RING | | 2 | | K-3217 |
| 12 | X-7-1008 | CAPSCREW | | 2 | 5/8"-18X1-1/4 | K-3217 |



20421-11-93

STATOR SUPPORT ASSY

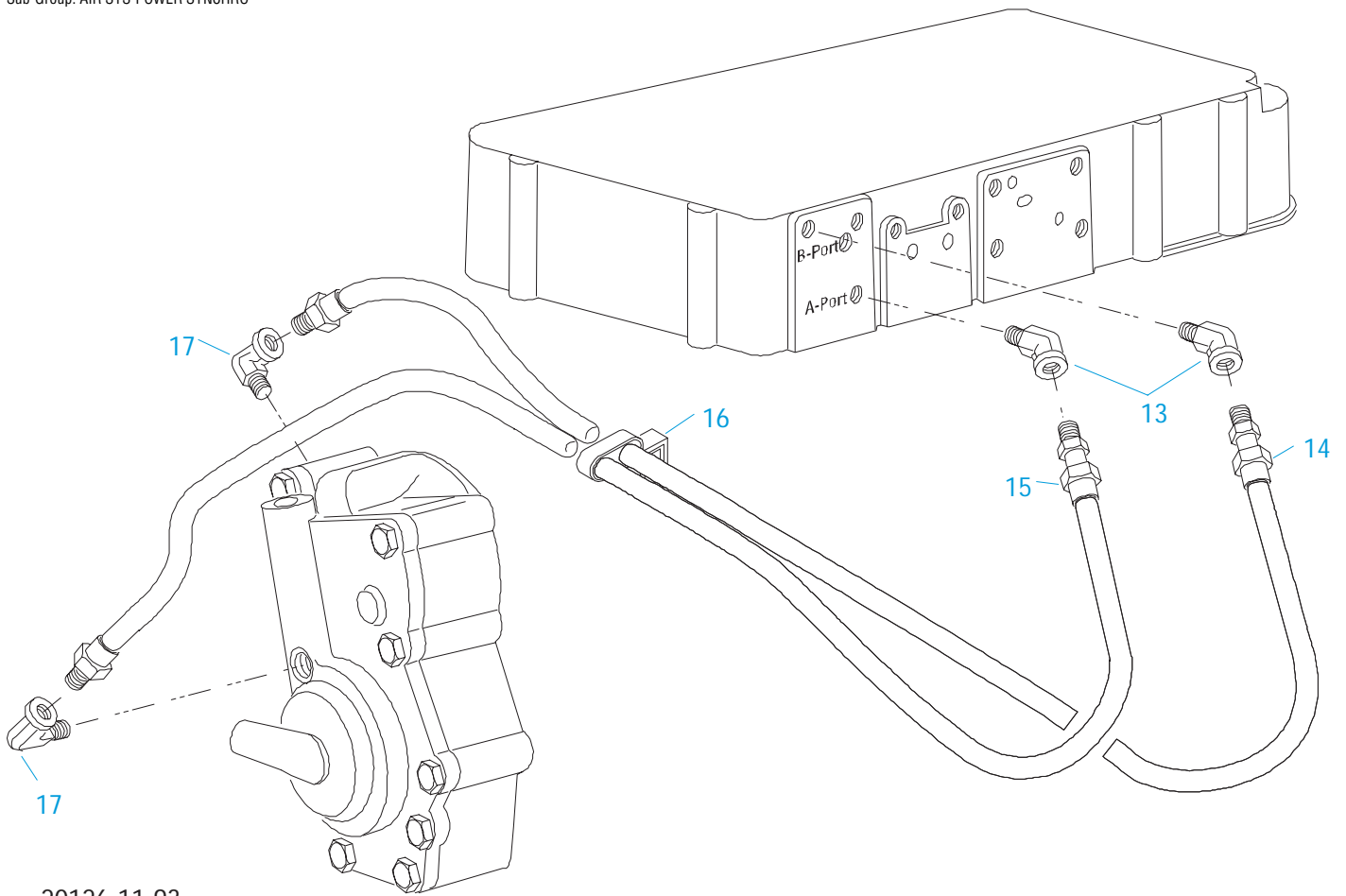
| Item | Current Part | Description | Replaced Part | Qty. | Notes | Kits/Assys Where Needed |
|------|--------------|---------------------|---------------|------|----------------|-------------------------------------------|
| 1 | 22496 | SEAL RING | | 1 | | K-2398 ,K-2504 |
| 2 | S-1676 | STATOR SUPPORT ASSY | 23397 | 1 | | K-2390 |
| 3 | 23398 | GASKET | | 1 | | K-2172 ,K-2391 ,K-2504 ,K-2625 ,S-1676 |
| 4 | X-14-700 | STEEL BALL | | 1 | 7/16" | |
| 5 | 22464 | SPRING | | 1 | | |
| 6 | 23616 | PLUG | | 1 | | |
| 7 | X-8L-616 | CAPSCREW | | 6 | 3/8"-16X2-3/4" | |
| 8 | 23401 | -O- RING | | 1 | | K-2391 |
| 9 | X-12-208 | PIPE PLUG | | 1 | 1/8" NPT | A-5587 |



20430-11-93

TORQUE CONVERTER ASSY

| Item | Current Part | Description | Replaced Part | Qty. | Notes | Kits/Assys Where Needed |
|------|--------------|----------------------|---------------|------|------------|-------------------------|
| 30 | X-8-645 | CAPSCREW | | 8 | 3/8"-16X1" | |
| 31 | 4301426 | PILOT | | 1 | | |
| 32 | 22463 | -O- RING | | 1 | | K-2398 ,K-2504 |
| 33 | 22497 | SEAL RING | | 2 | | K-2398 ,K-2504 |
| 34 | 22429 | SNAP RING | | 1 | | K-2398 |
| 35 | K-2647R | REMAN 16-C CNVTR KIT | K - 3082 | 1 | | |
| 35 | K-2646R | REMAN 16-D CNVTR KIT | K - 3083 | 1 | | |

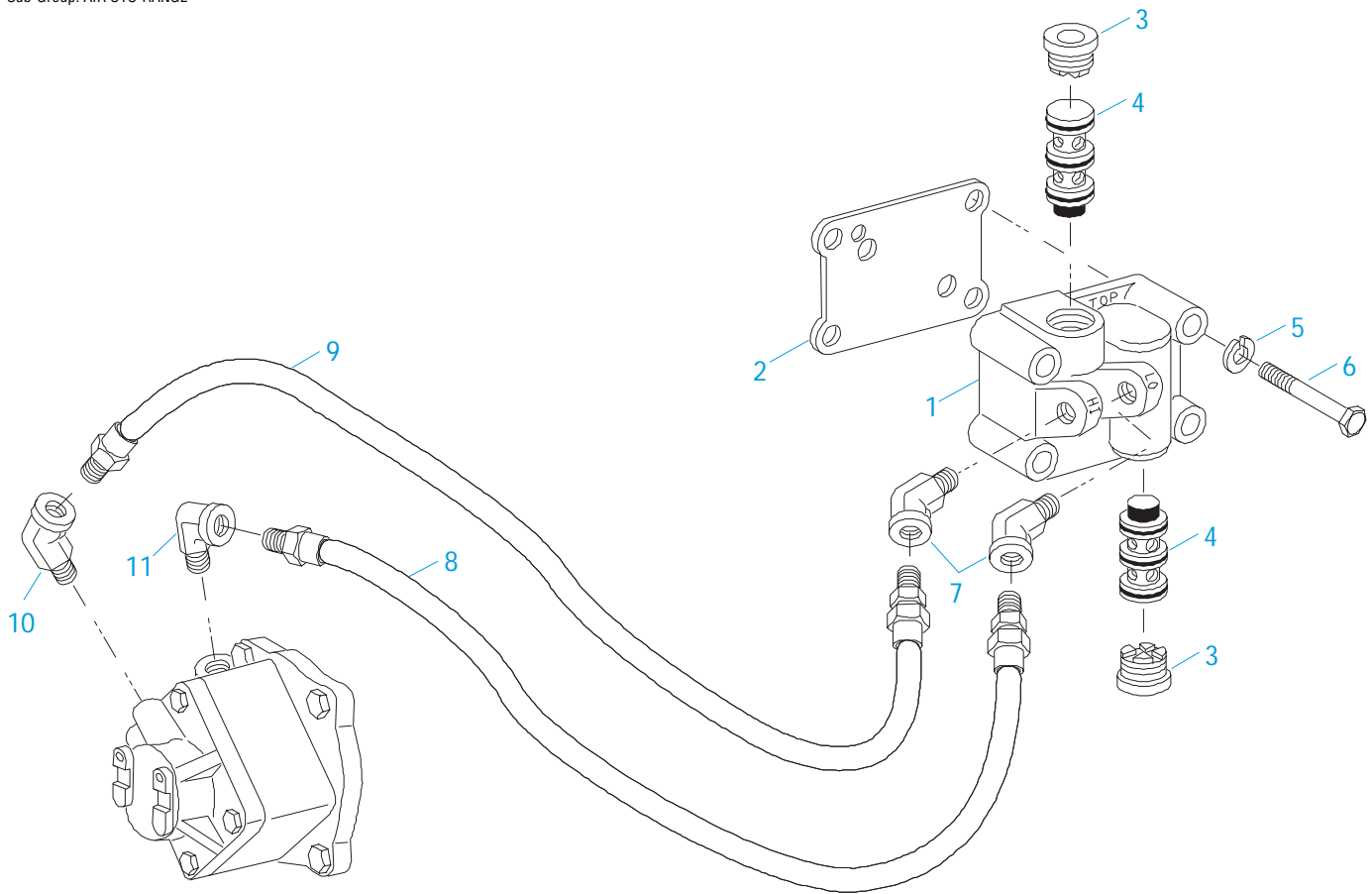


20126-11-93

VALVES

AIR SYS-POWER SYNCHRO

| Item | Current Part | Description | Replaced Part | Qty. | Notes | Kits/Assys Where Needed |
|------|--------------|-------------|---------------|------|---------|-------------------------|
| 13 | 12880 | ELBOW | | 2 | 1/8" | |
| 14 | 55524 | HOSE ASSY | | 1 | 27" | |
| 15 | 55534 | HOSE ASSY | | 1 | 29-1/2" | |
| 16 | 18769 | HOSE CLAMP | | 1 | | |
| 17 | 12845 | ELBOW | | 2 | 1/8" | |



20100-11-93

VALVES

AIR SYS-RANGE

| Item | Current Part | Description | Replaced Part | Qty. | Notes | Kits/Assys Where Needed |
|------|--------------|-----------------|----------------|------|-------------|-------------------------|
| 1 | K-2979 | RANGE VALVE KIT | A - 5363 | 1 | | |
| 2 | 22551 | GASKET | | 1 | | K-2172 ,K-2979 |
| 3 | 22639 | PLUG | | 2 | | |
| 4 | 4300810 | INSERT VALVE | 22641 ,4303615 | 2 | | |
| 5 | X-3-500 | LOCKWASHER | | 4 | 5/16" | |
| 6 | X-8-546 | SCREW | | 4 | 5/16"-18X2" | |
| 7 | 12880 | ELBOW | | 2 | 1/8" | |
| 8 | 55525 | HOSE ASSY | | 1 | 17" | |
| 9 | 55506 | HOSE ASSY | | 1 | 18" | |
| 10 | 12880 | ELBOW | | 1 | 1/8" | |
| 11 | 12845 | ELBOW | | 1 | 1/8" | |

Appendix



Air Line Tubing

Choosing nylon tubing for air lines

Use the following chart to specify the Eaton® Fuller® nylon tube appropriate to your vehicle's air system.

| 5/32" Air Line and Harness Combinations | | | |
|------------------------------------------------|---------------------------|-----------------------|---------------|
| Line Type | Line Color | Order Part No# | Length |
| Supply + Port | Red (S) + Black (P) | 52601 | 50 ft |
| Splitter + Deep Reduction | Blue (SP) + Green (H/L) | 52701 | 50 ft |
| Supply + Splitter + Port | Red(S)+Blue(SP)+ Black(P) | 74601 | 50 ft |

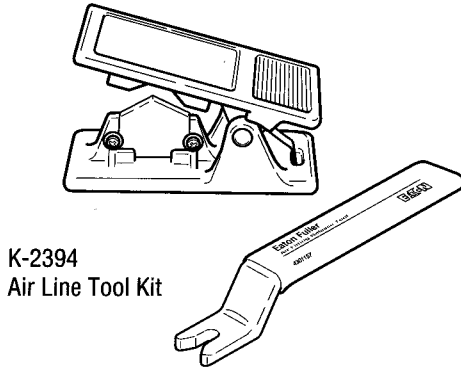
| 5/32" Air Lines | | | |
|------------------------|-------------------|-----------------------|---------------|
| Line Type | Line Color | Order Part No# | Length |
| Supply | Red (S) | 75120 | 50 ft |
| Port | Black (P) | 75320 | 50 ft |
| Splitter | Blue (SP) | 75720 | 50 ft |
| Deep Reduction | Green (H/L) | 75520 | 50 ft |
| Sheathing | | 80120 | 50 ft |

| 1/8" Air Lines | | | |
|-----------------------|-------------------|-----------------------|---------------|
| Line Type | Line Color | Order Part No# | Length |
| Supply | White | 68526 | 50 ft |
| Port | Black | 82013 | 50 ft |
| Sheathing | | 80000 | 50 ft |

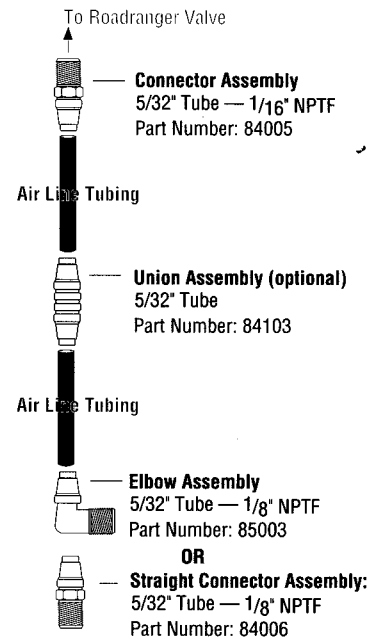
10650-1/92 AL Chart

Identifying fittings

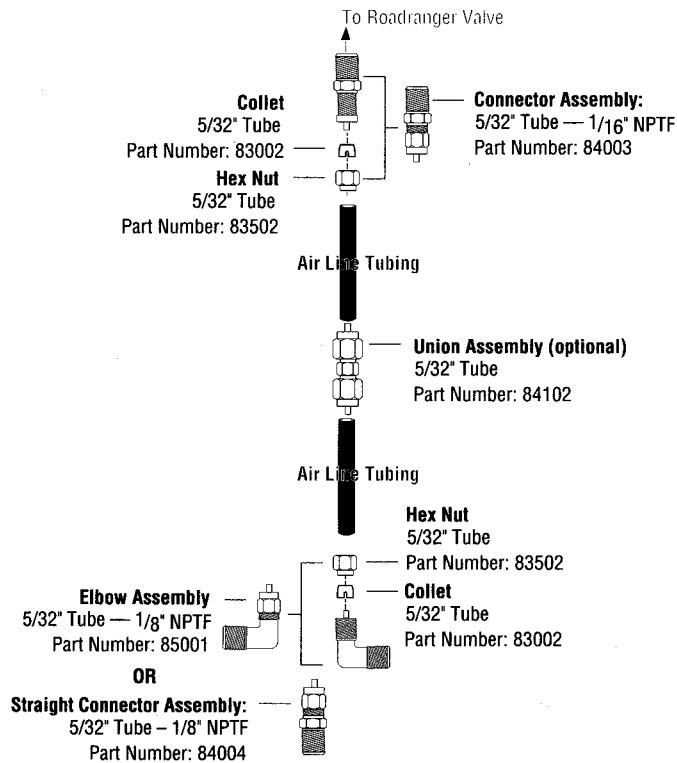
Fittings are available in 5/32" and 1/8" sizes as appropriate for vehicle air line sizes. 5/32" fittings are available as 'push to connect' or compression fittings. 1/8" fittings are available as compression fittings.



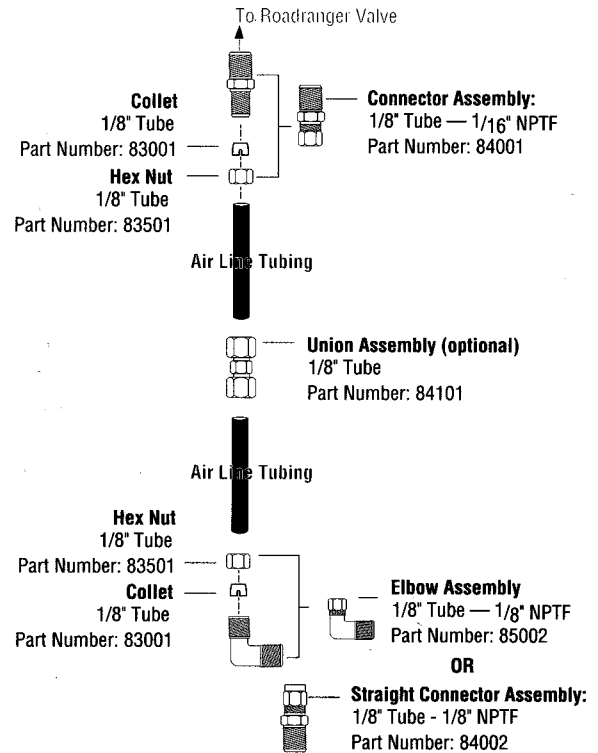
5/32" 'Push-to-Connect' Fittings

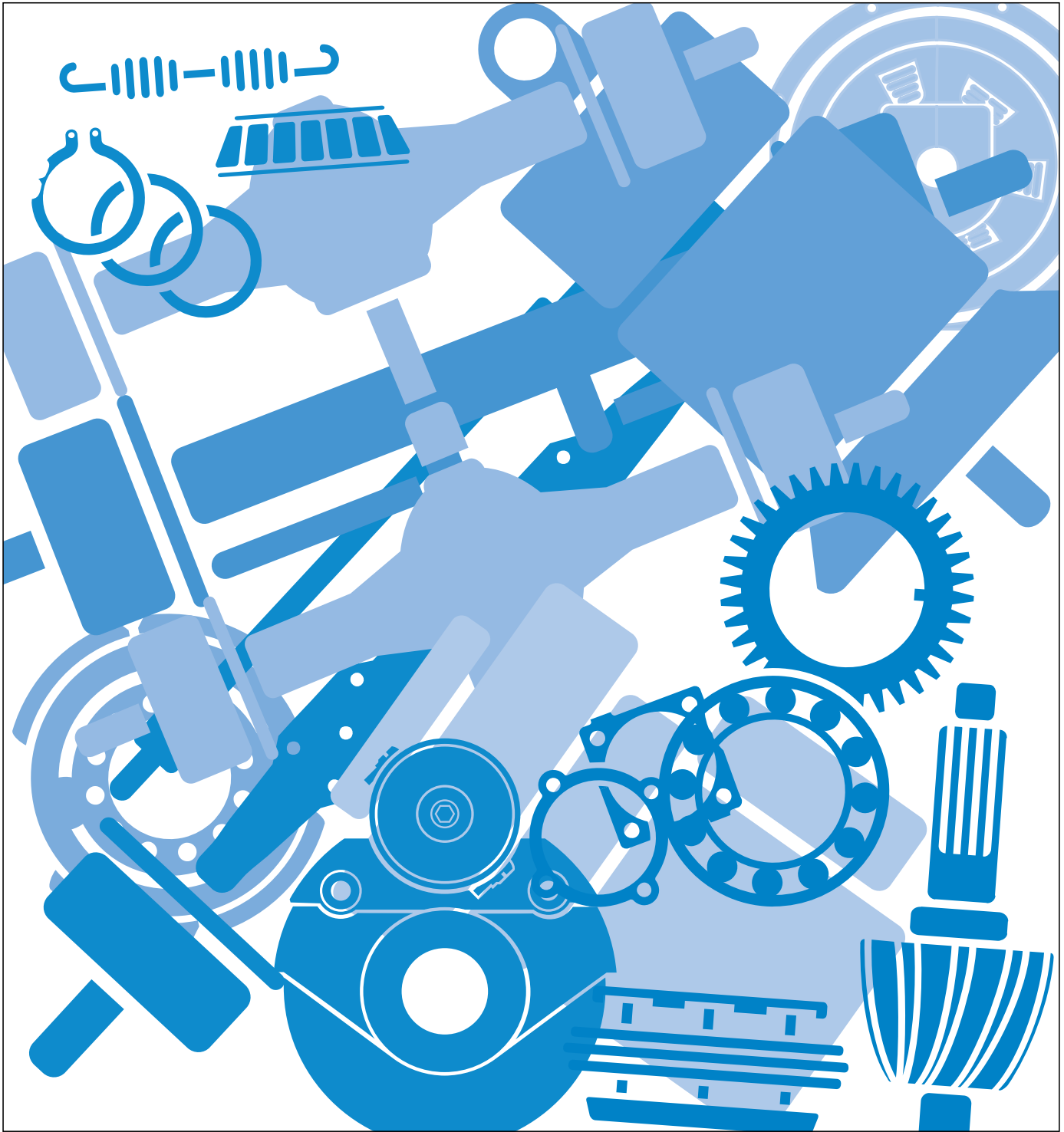


5/32" Compression Fittings



1/8" Compression Fittings





Copyright Eaton and Dana Corporation, 2002. EATON AND DANA CORPORATION hereby grants its customers, vendors, or distributors permission to freely copy, reproduce and/or distribute this document in printed format. THIS INFORMATION IS NOT INTENDED FOR SALE OR RE-SALE, AND THIS NOTICE MUST REMAIN ON ALL COPIES.



National Institute for
**AUTOMOTIVE
SERVICE
EXCELLENCE**

Roadranger®

MORE TIME ON THE ROAD.

The Roadranger® System is an unbeatable combination of the best products from Eaton and Dana – partnering to provide you the most advanced, most trouble-free drivetrain in the industry. And it's backed by the Roadrangers – the most experienced, most expert, most accessible drivetrain consultants in the business.

For spec'ing or service assistance, call 1-800-826-HELP (4357) 24 hours a day, 7 days a week, (Mexico: 001-800-826-HELP (4357)) for more time on the road. Or visit our web site at www.roadranger.com.



One Great Drivetrain from Two Great Companies

RTO-11109B-ATR
6/05
Printed in the USA