



MERITOR
A Heritage of Rockwell Technology

SERVICE PARTS INSTRUCTIONS

Strain Relief Clip Installation


**Meritor's Heavy-Duty
Driver-Controlled Differential (DCDL)
Switch on the 164EH
World Axle Series Kit 4455
Optional on Meritor's 145/160/180
World Axle Series Models**

Install the Strain Relief Clip on Meritor's 164EH Series World Axles

The STRAIN RELIEF CLIP (part number 2257-M-1235) that is included in Kit 4455* provides extra support for the switch lead on Meritor's heavy-duty Driver-Controlled Differential Lock (DCDL) switch (part number 3237-W-1167).

*To order Kit 4455, contact Meritor Automotive in Florence, Kentucky, at 888-725-9355.

Forward Carrier Installation

1. Secure the DCDL switch lead to the strain relief clip.
2. Remove the bearing cage capscrew located in the 3 O'CLOCK position.
3. Position the capscrew through the strain relief clip.
4. Reinstall the bearing cage capscrew.
5. Tighten the capscrew to a torque of 75-95 lb-ft (100-300 N•m). 

Rear-Rear Carrier or Single Axle Carrier Installation

Follow Steps 1-5 for forward carrier installation, but note that in Step 2, the capscrew will be located in the 11 O'CLOCK position on a rear-rear or single axle carrier.

Optional on Meritor's 145/160/180 World Axle Series Models

- Strain relief clip installation is optional on Meritor's 145/160/180 World Axle Series models.
- Uses the same switch as the 164EH Series axles (part number 3237-W-1167).
- Follow the same procedures outlined above for the 164EH Series axles to install the clip onto the 145/160/180 Series axles.

Figure 1
FORWARD CARRIER

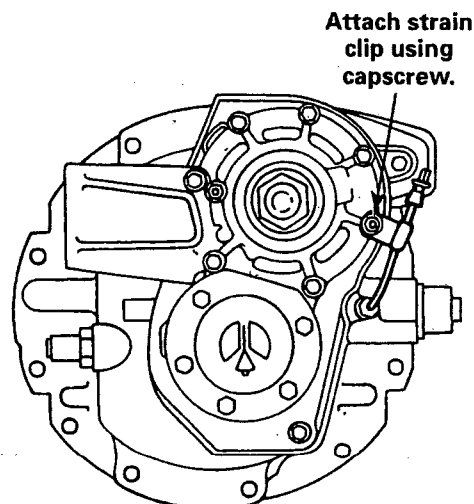


Figure 2
REAR-REAR CARRIER OR
SINGLE AXLE CARRIER

